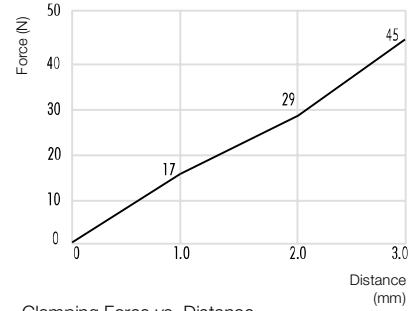
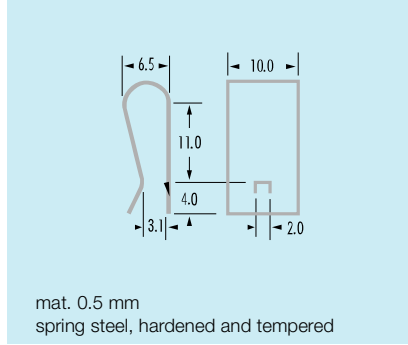
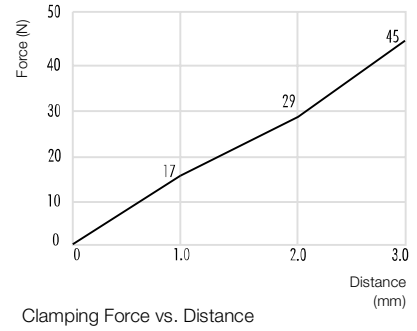
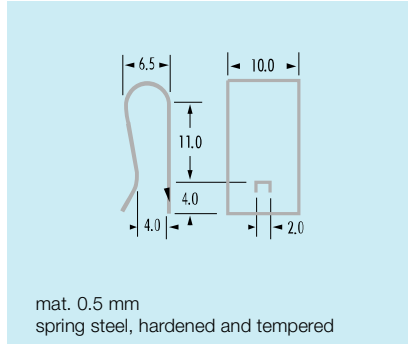




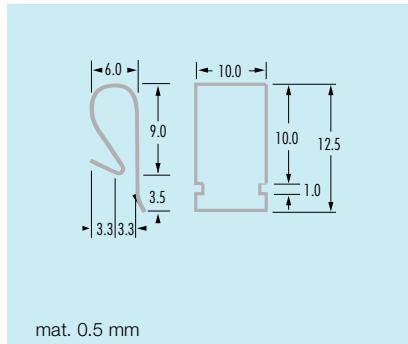
Part No. **KU 4-440/3.1**
TO-220 / TO-3P



Part No. **KU 4-440/4.0**
TO-220 / TO-3P



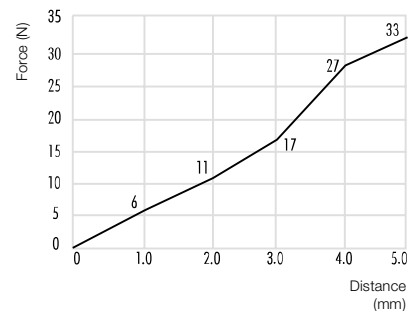
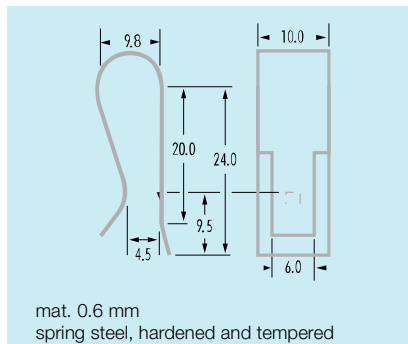
Part No. **KU 4-441**
TO-220 / TO-3P



Application Example



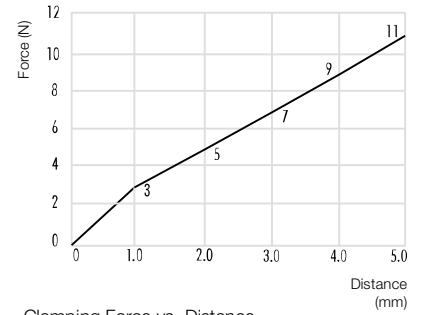
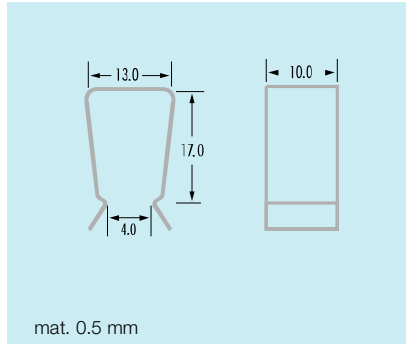
Part No. **KU 4-443**
TO-220 / TO-3P



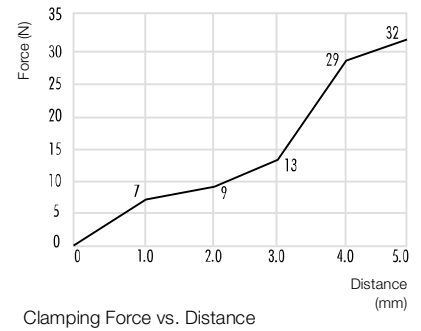
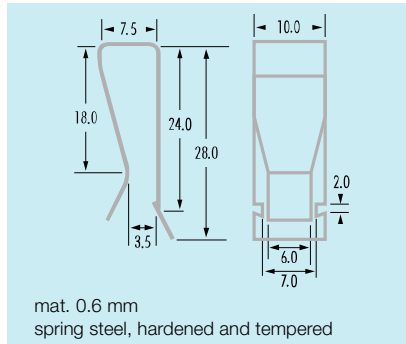
Order free samples!



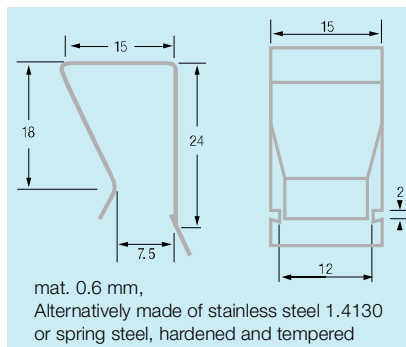
Part No. **KU 4-445**
TO-220 / TO-3P



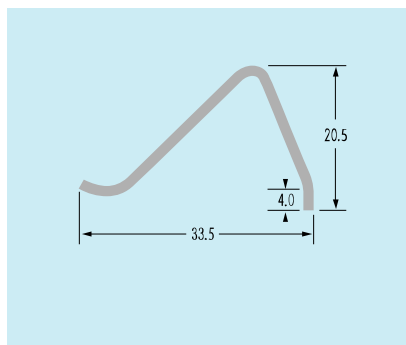
Part No. **KU 4-450**
TO-220 / TO-3P



Part No. **KU 4-460**
TO-220 / TO-3P



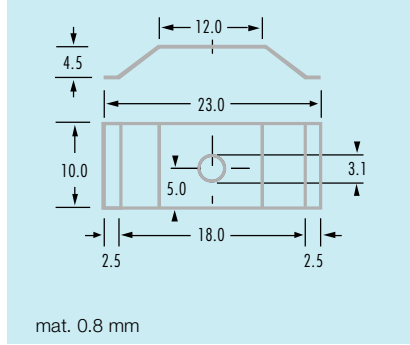
Part No. **KU 4-490**
TO-220 / TO-3P



Wire elbows can be produced
in all variations to customer specifications
without tooling costs



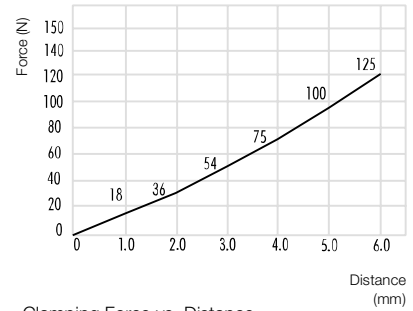
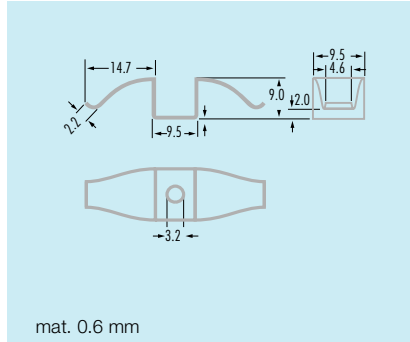
Part No. **KU 4-430**



Mounting Example



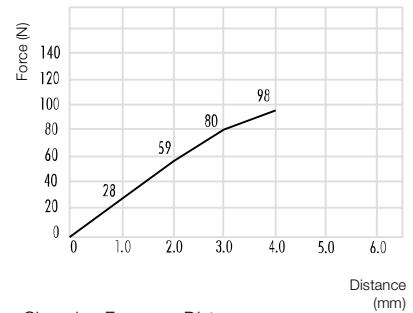
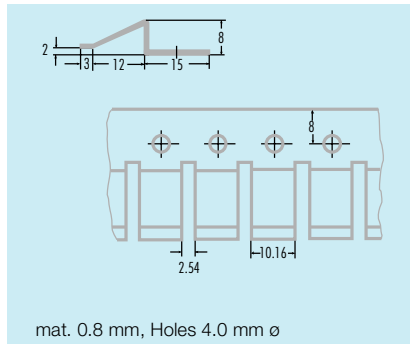
Part No. **KU 4-495**
Gull Wing Clip



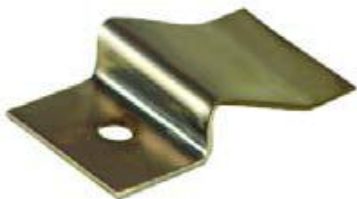
Clamping Force vs. Distance



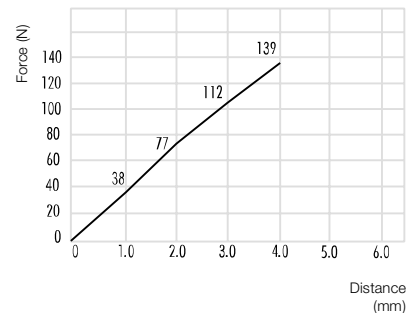
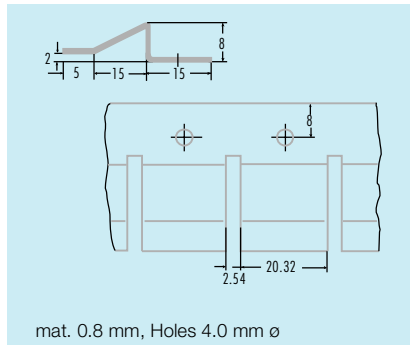
Multiple Transistor Clip
Part No. **KU 4-498/X**
TO-220
(X= Number of fingers)



Clamping Force vs. Distance

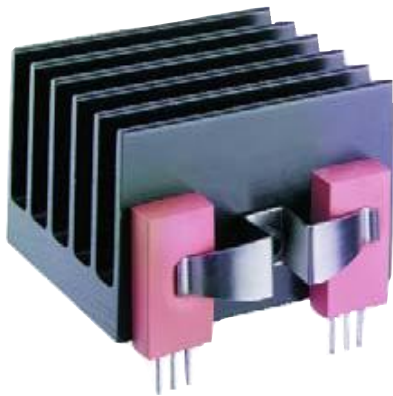


Multiple Transistor Clip
Part No. **KU 4-499/X**
TO-247 / TO-264
(X= Number of fingers)

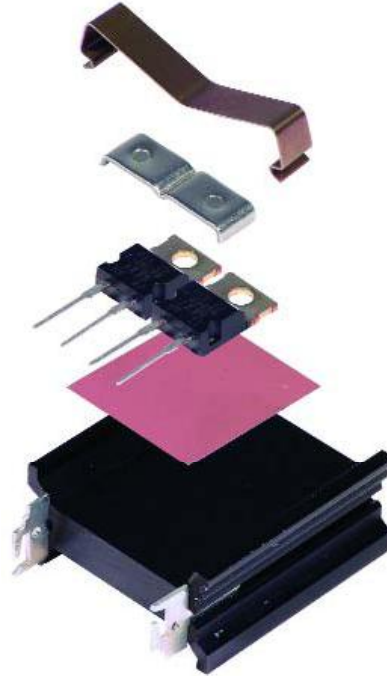


Clamping Force vs. Distance

Order free samples!



Application Example for Gull Wing Clips



Mounting Example
Heat Sink: KU 1-070
POWERCLIP®: KU 3-391
Centering Element: KU 2-ZUB 01-567
Mounting Element: KU 2-ZUB 38-1

For further information on heat sinks and mounting device please order our Kunze Heat Sink Catalogue or visit our Heatmanagement Homepage: www.heatmanagement.com



Application Example for Multiple Transistor Clips

The number of clips on a multiple transistor clip can be specified without incurring additional tooling costs