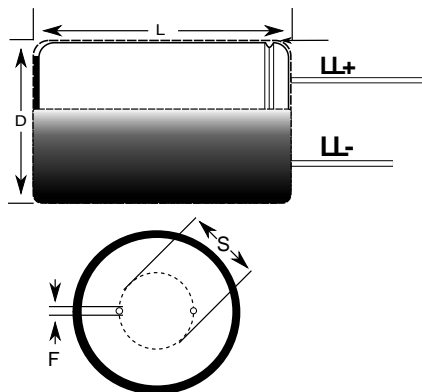


Capacitor, aluminum, 4.7 uF, +/-20% Tol, -40/+105C, 400V@105C



Dimensions (mm)		
Symbol	Dimension	Tolerance
D	10	+/-0.5
L	15	+2
S	5	+/-0.5
LL+	20	min
LL-	15	min
F	0.6	

Packaging Specifications	
Package Kind:	Bulk
Package Quantity:	3000

General Information	
Manufacturer:	KEMET
Part Type Description:	Radial Cylindrical Aluminum Electrolytic
Style:	Radial Cylindrical
Lead Type:	Straight

Specifications	
Capacitance:	4.7 uF
Tolerance:	+/-20%
Rated Temperature:	105C
Voltage @ rated temp:	400V
VDC Surge:	450WVDC
Life @ rated temp:	5000 h
RoHS:	Yes
Low Z/ESR:	Yes
Temperature Range:	-40/+105C
Leakage Current:	123 uA
Leakage Condition:	2min/20c
Dissipation Factor:	24%
Impedance @ 100kHz:	3.5 Ohm
Impedance Ratio -25C:	5.0
Impedance Ratio -40C:	6.0
Ripple 120Hz @ rated temp:	0.05 A
Ripple 100kHz @ rated temp:	0.08 A