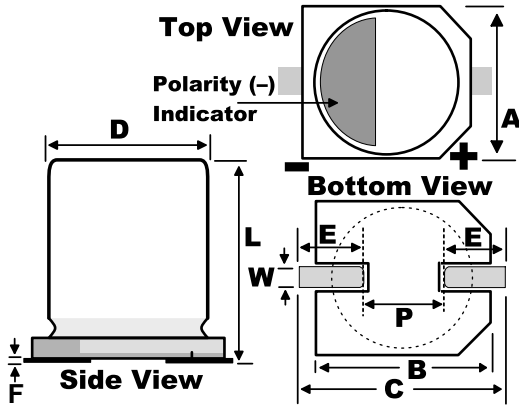


Capacitor, aluminum, 1 uF, +/-20% Tol, 50V@85C



Dimensions (mm)		
Symbol	Dimension	Tolerance
D	4	+/-0.5
L	5.4	+0.25/-0.1
A	4.3	+/-0.2
B	4.3	+/-0.2
C	5.5	max
W	0.65	+/-0.1
E	1.8	+/-0.2
P	1	+/-0.2
F	0.3	max

Packaging Specifications	
Package Kind:	T&R
Package Size:	380mm
Package Quantity:	2000

General Information	
Manufacturer:	KEMET
Part Type Description:	Surface Mount Aluminum Electrolytic
Style:	Surface Mount Vertical Can
Lead Type:	V-Chip

Specifications	
Capacitance:	1 uF
Tolerance:	+/-20%
Rated Temperature:	85C
Voltage @ rated temp:	50V
VDC Surge:	63WVDC
Life @ rated temp:	2000 h
RoHS:	Yes
Hi Temp Solder:	Yes
Temperature Range:	-40/+85C
Leakage Current:	3 uA
Leakage Condition:	2min/20c
Dissipation Factor:	12%
Impedance Ratio -25C:	2.0
Impedance Ratio -40C:	3.0
Ripple 120Hz @ rated temp:	0.01 A
Ripple 120Hz @ alt temp:	0.0136 A
Ripple 120Hz alt temp:	50C