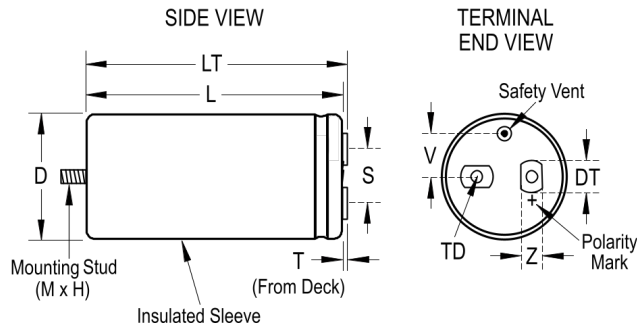


## ALS33A152KJA450

Aliases (A432LN152M450A)

Not for New Design

ALS33, Aluminum Electrolytic, 1,500 uF, 20%, 450 VDC, -40/+85°C



Click [here](#) for the 3D model.

### Dimensions

D	50.8mm +/-0.8mm
L	114.3mm +/-1.6mm
T	5.5mm +/-0.5mm
S	22.2mm +/-0.5mm
DT	13mm +/-0.5mm
LT	119mm +/-1mm
TD	10mm MIN
V	13.7mm NOM
Z	10mm NOM

### Packaging Specifications

Weight	340 g
Packaging	Bulk, Box

### General Information

Series	ALS33
Dielectric	Aluminum Electrolytic
Description	Screw Terminal, Aluminum Electrolytic
RoHS	Yes
Mounting	Stud
AEC-Q200	No
Notes	Add 0.4mm To D (1.1mm When D = 88.9) And 1.1mm To L For Sleeveing. MS (MxH) = M12x16

### Specifications

Capacitance	1,500 uF
Capacitance Tolerance	20%
Voltage DC	450 VDC, 495 VDC (Surge)
Temperature Range	-40/+85°C
Rated Temperature	85°C
Life	18000 Hrs (Rated Voltage And Ripple Current At 85C), 36000 Hrs (Rated Voltage At 85C)
Resistance	75 mOhms (120Hz 25C), 45 mOhms (20kHz 25C)
Ripple Current	8.1 Amps (120Hz 85C), 14.5 Amps (20kHz 85C)
Leakage Current	4050 uA (5min 20°C)