

## Terminal Blocks for PC-Boards Screwless, Push Button Type

Front Wire Inlet Type - Spacing 5.0mm or 10.0mm  
Height Over PC-Board 14.65mm

### SPECIFICATIONS

#### MATERIAL

- Contact (metal housing): Brass, Tin plated
- Contact Spring: Stainless strip steel
- Surface of Solder Tail: Tin plated
- Insulator Body (housing): Poly Butylene Terephthlene, PBT (30% Glass filled) (UL 94 V-0)

#### ELECTRICAL

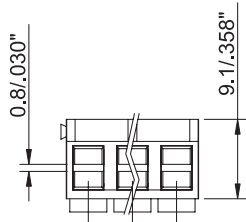
- Current Rating: 8 Amp
- Dielectric Strength: 2500V
- AWG:
  - Stranded Wire: 22-18
  - Solid Wire: 22-16
- Resistance to Tracking: 5M $\Omega$
- Insulation Withstands Voltage: AC1500V/Min
- Stripping Length: 7.0 - 7.5mm
- Rated Voltage: 300V

#### MECHANICAL

- Operating Temperature: -30°C to +120°C
- Short Time Peak Temperature: +200°C max



390-031-22-00

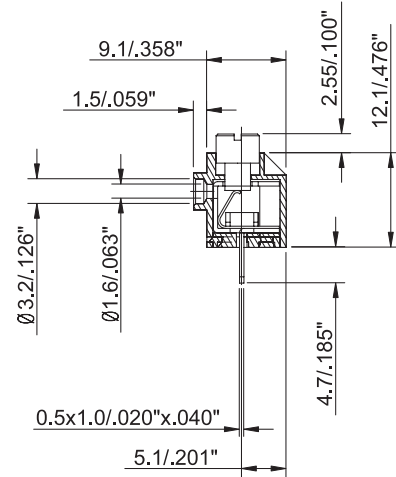
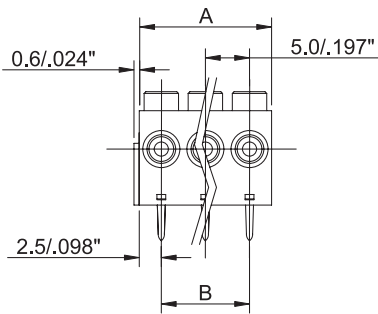


PITCH	Dimension A	Dimension B
5mm	n x 5	(n - 1) x 5
10mm	n x 10	(n - 1) x 10

**\*\*Notice:**

To avoid accumulating tolerance-variations of Terminal Blocks, limit the number of contacts to no more than 24 contacts per row

Recommended PC-Board-Holes  
diameter:  $\varnothing$ 1.2mm to  $\varnothing$ 1.4mm  
n = number of contacts



### HOW TO ORDER

**3 9 0 - X X X - 2 X - 0 0**

Series No. No. of Pole

Pitch	
1	5.0mm
2	10.0mm

Color	
1	Grey
2	Blue
3	Black