

actual size

Oscillator · VCXO · 3.3/5.0 V

Surface Mount Voltage Control Oscillator

Features

- RoHS compliant
- HCMOS / TTL compatible type

- ceramic / metal package

General Data

type	JV75 3.3 V	JV75 5.0 V
frequency range (MHz)	1.0 ~ 52.0 MHz higher frequencies on request	1.0 ~ 52.0 MHz
frequency stability over all*	± 25 ppm / ± 50 ppm	± 25 ppm / ± 50 ppm
frequency pulling range min.	± 50 ppm ~ ± 150 ppm Vcontrol: 1.65 V ± 1.65 V	± 50 ppm ~ ± 150 ppm Vcontrol: 2.5 V ± 2.5 V
current consumption	see table 1	see table 1
supply voltage	3.3 V ± 10 %	5.0 V ± 10 %
output	rise & fall time	see table 3
	load	15 pF
	current max.	4 mA
	low level	V _{DC} × 0.1
	high level	V _{DC} × 0.9
temperature	operating	-10 °C ~ +70 °C
	extended	-40 °C ~ +85 °C
	storage	-55 °C ~ +125 °C
symmetry at 1/2 V _{DC}	< 45 / 55 % typical	< 45 / 55 % typical

* inclusive stability at 25°C, operating temperature range, input voltage change, aging, shock and vibration.

Table 1: current consumption max.

3.3 V version:	
1.0 ~ 29.99 MHz	15 mA
30.0 ~ 44.99 MHz	25 mA
45.0 ~ 52.00 MHz	30 mA
5.0 V version:	
1.0 ~ 29.99 MHz	20 mA
30.0 ~ 44.99 MHz	30 mA
45.0 ~ 52.00 MHz	40 mA
note: specific data on request	

Enable / Disable Function

pin #2 or pin #5	pin #4
open or high	oscillation
gnd or low	high impedance
start-up time: < 3 ms typical	

Table 2: frequency stability code

type	B	C			
stability	± 50 ppm	± 25 ppm			
-10 °C ~ +70 °C		●			
-40 °C ~ +85 °C	●	○			
● standard ○ on request					

Table 3: rise & fall time max.

5.0 ns:	1.0 ~ 39.99 MHz
4.0 ns:	40.0 ~ 52.00 MHz
note: - specific data on request	

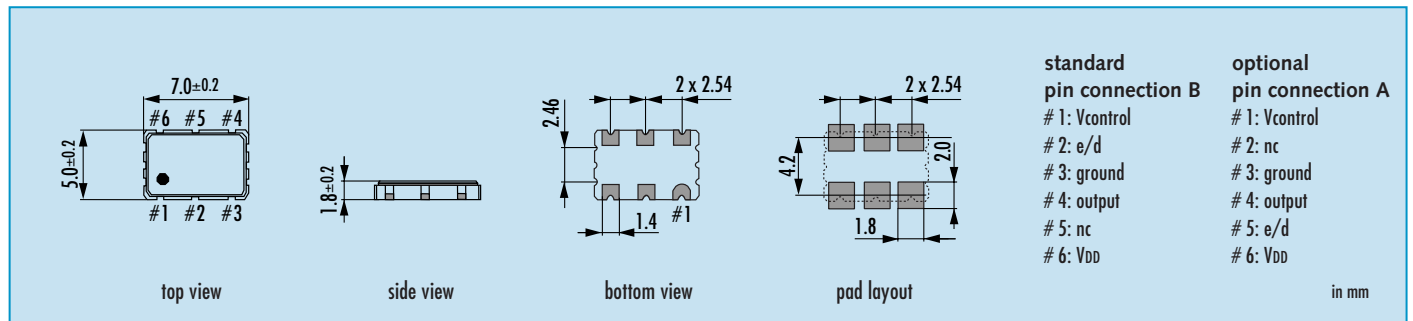
Order Information

0	frequency in MHz	type	frequency stability in ppm	supply voltage in Volt	pulling range in ppm	pin version	option
Oscillator	1.0 ~ 52.0 MHz	JV75	C = ± 25 ppm B = ± 50 ppm	3.3 = 3.3 V 5.0 = 5.0 V	05 = 50 ppm 10 = 100 ppm 15 = 150 ppm on request	B = standard A = optional	blank = -10 °C ~ +70 °C T1 = -40 °C ~ +85 °C LF = Pb free contact pins / pads
Example: O 20.0-JV75-B-3.3-10-B							

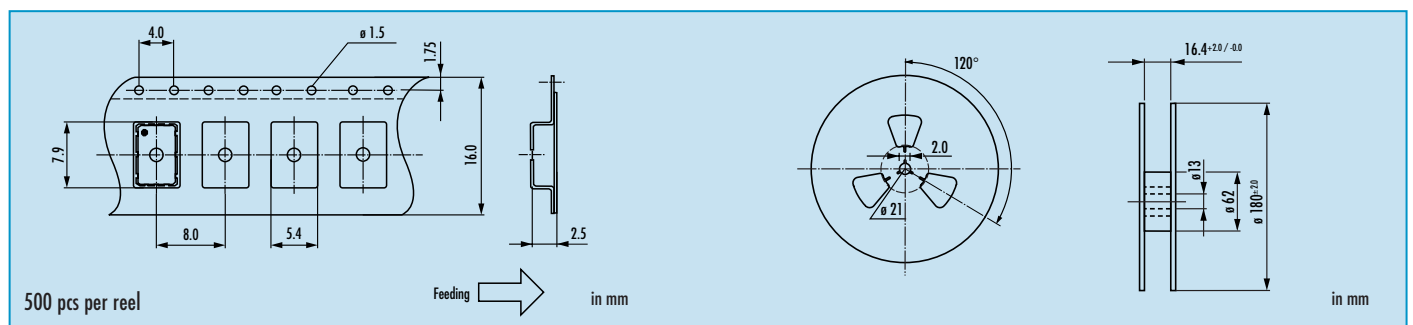


Oscillator · JV75 · 3.3 · 5.0 V · VCXO

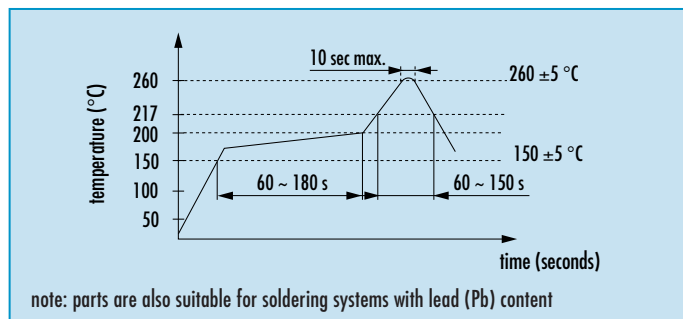
Dimensions



Taping Specification



Reflow Soldering Profile



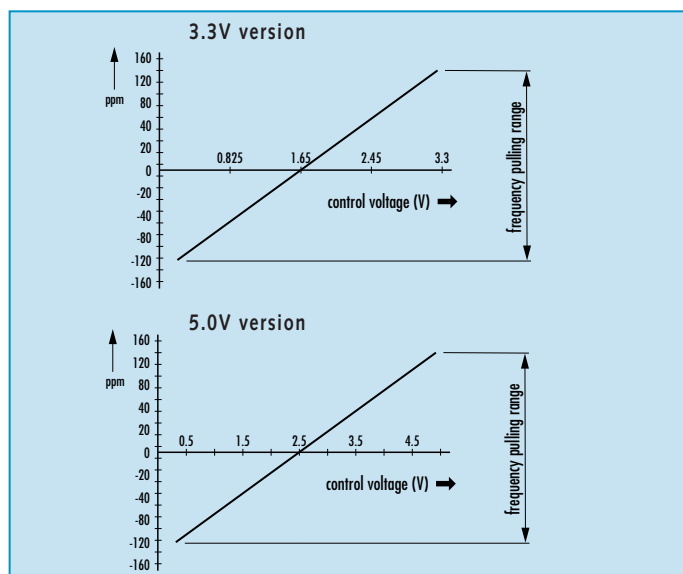
Marking

type, frequency, date code

date code:
 A ~ M: Jan. - Dec.
 4: 2004
 5: 2005
 6: 2006

Jan.	Febr.	Mar.	Apr.	May	June
A	B	C	D	E	F
July	Aug.	Sept.	Oct.	Nov.	Dec.
G	H	J	K	L	M

Control Voltage Characteristic



Packing Note

- standard packing units are 500 pieces per reel
- non-multiple packing units are only supplied taped / bulk

