

DC AXIAL FAN

JAMICON®

120X120X38 mm

JF1238-14 Series

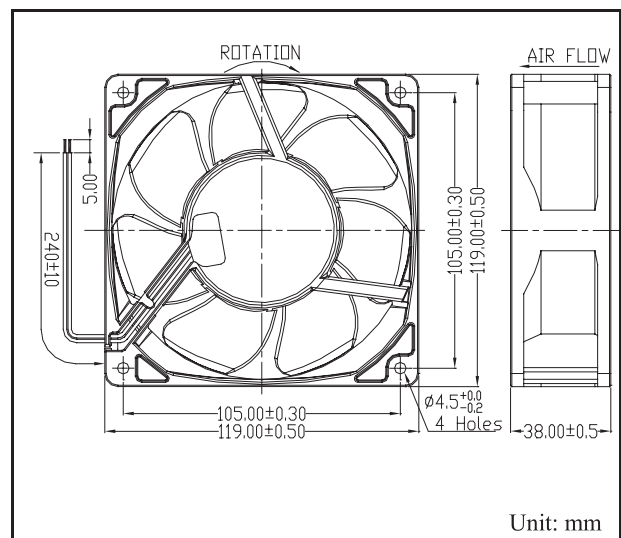
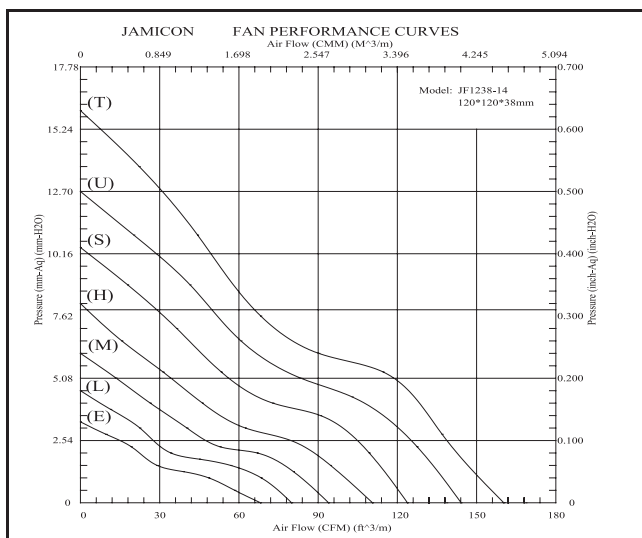


- **Frame** : Plastic Material UL 94V-0
- **Impeller** : Plastic Material UL 94V-0
- **Speed Range** : ±10%

SPECIFICATIONS

Model	Bearing	Rated Voltage (V)	Operating Voltage (V)	Air Flow (CFM)	Static Pressure (inchH ₂ O)	Speed (R.P.M.)	Input Current (Amp)	Input Power (Watt)	Nominal Current (Amp)	Noise (dBA)	Weight (g)
JF1238B1TR	Dual Ball	12	10.2 ~ 13.8	163.86	0.63	4000	1.33	15.96	1.50	52.90	307
JF1238B1UR				144.13	0.50	3600	0.96	11.52	1.00	50.70	
JF1238B1SR				127.47	0.41	3200	0.76	9.12	0.80	46.70	
JF1238B1HR				110.59	0.32	2800	0.50	0.60	0.55	43.50	
JF1238B1MR				93.97	0.24	2400	0.35	4.20	0.38	40.20	
JF1238B1LR				79.96	0.18	2000	0.19	2.28	0.21	34.10	
JF1238B1ER				68.19	0.13	1700	0.10	1.20	0.11	28.60	
JF1238B2TR	Dual Ball	24	20.4 ~ 27.6	163.86	0.63	4000	0.60	14.4	0.60	52.90	
JF1238B2UR				144.13	0.50	3600	0.43	10.32	0.46	50.70	
JF1238B2SR				127.47	0.41	3200	0.41	9.84	0.45	46.70	
JF1238B2HR				110.59	0.32	2800	0.30	7.20	0.32	43.50	
JF1238B2MR				93.97	0.24	2400	0.21	5.04	0.23	40.20	
JF1238B2LR				79.96	0.18	2000	0.12	2.88	0.14	34.10	
JF1238B2ER				68.19	0.13	1700	0.09	2.16	0.11	28.60	
JF1238B4TR	Dual Ball	48	40.8 ~ 60.0	163.86	0.63	4000	0.28	13.44	0.32	52.90	
JF1238B4UR				144.13	0.50	3600	0.23	11.04	0.25	50.70	
JF1238B4SR				127.47	0.41	3200	0.21	10.08	0.22	46.70	
JF1238B4HR				110.59	0.32	2800	0.14	6.72	0.15	43.50	
JF1238B4MR				93.97	0.24	2400	0.09	4.32	0.11	40.20	
JF1238B4LR				79.96	0.18	2000	0.07	3.36	0.08	34.10	

Specifications subject to change without notice



Unit: mm