

# SPECIFICATION FOR APPROVAL

CUSTOMER

DATE

PART NAME: Telephone hook Switch

MODEL : **HSH2240 series**

APPROVED BY
Approved No.
Model <b>HSH2240 series</b>
Part Name Hook Switch

# TELEPHONE HOOK SWITCHES

---

## Common Specifications

1. Rating: 200mA 48V DC(Resistive load)
2. Electrical Performance

Item	Test Condition	Performance
Contact Resistance	DC 5V, 1A	500mΩ Max
Insulation Resistance	500V DC for 1 minute	100mΩ Max
Withstand Voltage	500V AC for 1 minute	Not Breaking Insulation

3. Mechanical Performance

Item	Test Condition	Performance
Operation force	55gf Max	As per individual specifications
Terminal strength	500gf for 1 minute	No terminal rejection and insulator breakage
Lever strength	1kgf static force for 15 seconds	There shall not be any troubles as deviation and bending

4. Endurance

Item	Test Condition	Performance
Life test	300,000 cycles without load 100,000 cycles with 0.2A 48V DC resistive load	<ul style="list-style-type: none"> <li>• Contact resistance: 100mΩ Max</li> <li>• Operating Force:+10% -30% initial value</li> <li>• Insulation resistance:100mΩ Max</li> <li>• Withstand Voltage:250V AC for 1 minute</li> </ul>
Cold proof	-20 ± 2°C for 96 hours After test: Kept in normal condition for 1 hour to be measured within 1 hour	<ul style="list-style-type: none"> <li>• Contact resistance: 100mΩ Max</li> <li>• Operating force: +10% -30% initial value</li> <li>• Insulation resistance: 100mΩ Max</li> <li>• Withstand voltage:250V AC for 1 minute</li> </ul>
Dry heat proof	80 ± 2°C for 48 ± 5hours After test: Kept in normal condition for 1 hour to be measured within 1 hour	
Moisture resistance	40 ± 2°C for 90~95 hours After test: Kept in normal condition for 1 hour to be measured within 1 hour	

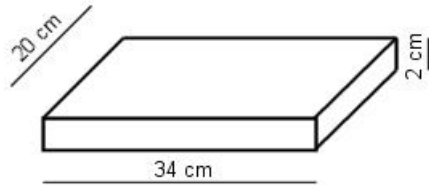
5. Solder Heat Resistance & Auto Soldering: 260°C /5 Seconds  
Manual Soldering: 350 ± 10°C /3 Seconds

# TELEPHONE HOOK SWITCHES

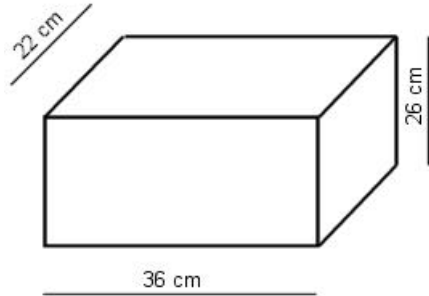
---

## Packing list

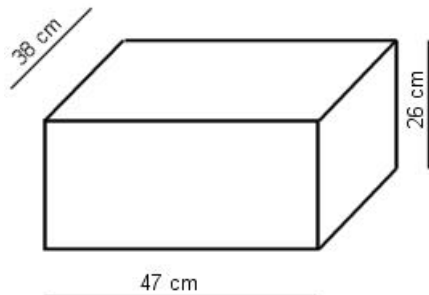
### 1. Palette



### 2. Inner box = 10 pallets



### 3. Cartoon = 2 inner boxes



Total quantity of HSH2240 in 1 cartoon = 5 200 pieces

Total quantity of HSH2240A in 1 cartoon = 4 800 pieces

Total quantity of HSH2240B in 1 cartoon = 4 000 pieces

Total quantity of HSH2240B in 1 cartoon = 5 200 pieces

# TELEPHONE HOOK SWITCHES

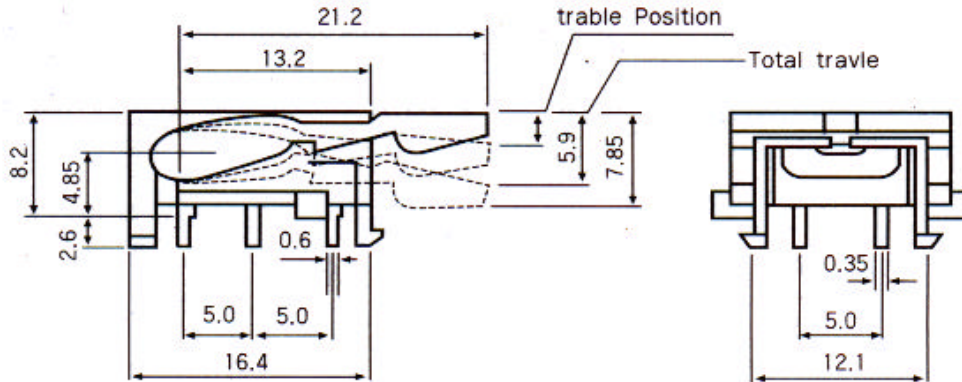
---

## Material list

	Color	Material	Melting point
Case	Black	Nylon66 + G30	256
Case terminal		Brass	
Cover	Blue	Nylon + G15	240
Push	White	Acetal	180
Clip support	Black	PBT + G30	240
Clip		Phosphorvs.Bronze + clad AG	
Spring		SUS304	

# TELEPHONE HOOK SWITCHES

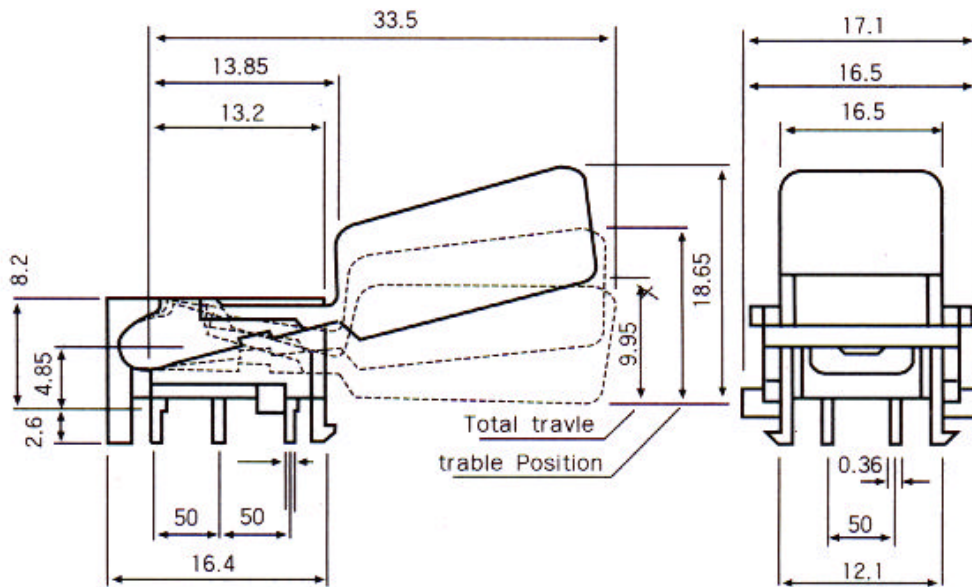
## HSH-2240



1	3	ON	OFF
2	3	OFF	ON
4	6	ON	OFF
5	6	OFF	ON

0    1    2    3    4    5

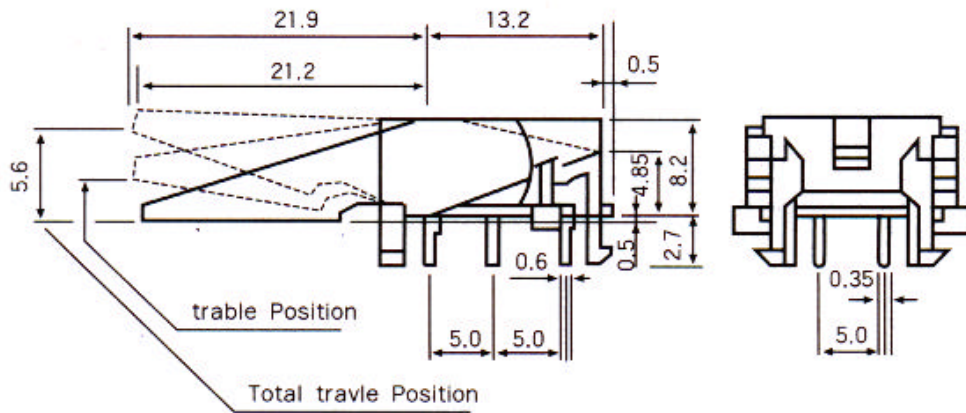
## HSH-2240A



1	3	ON	OFF
2	3	OFF	ON
4	6	ON	OFF
5	6	OFF	ON

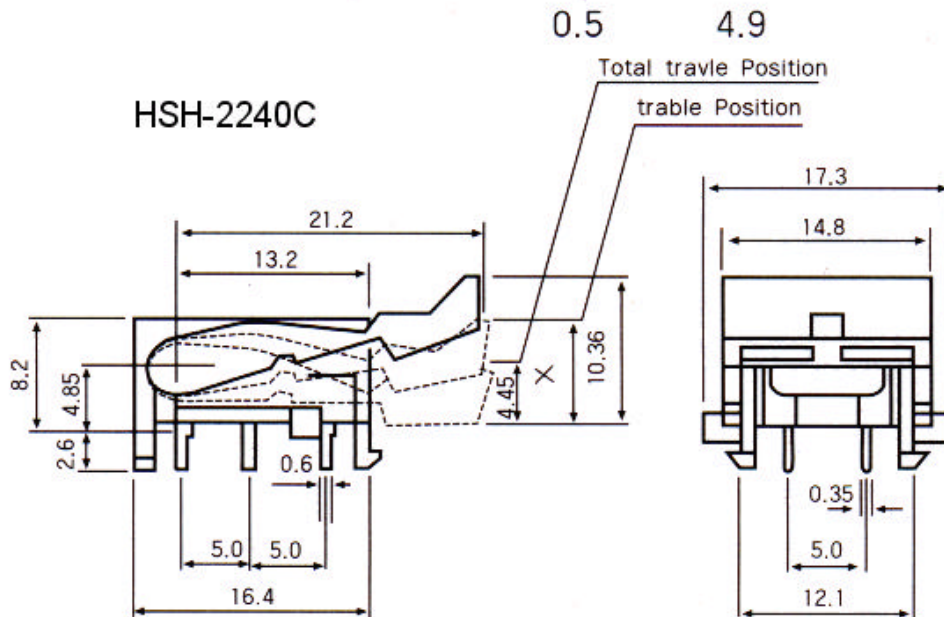
# TELEPHONE HOOK SWITCHES

## HSH-2240B



1	3	ON	OFF
2	3	OFF	ON
4	6	ON	OFF
5	6	OFF	ON

## HSH-2240C



1	3	ON	OFF
2	3	OFF	ON
4	6	ON	OFF
5	6	OFF	ON

9.35 5.15