

Interactive Catalog Replaces Catalog Pages

Honeywell Sensing and Control has replaced the PDF product catalog with the new **Interactive Catalog**. The **Interactive Catalog** is a power search tool that makes it easier to find product information. It includes more installation, application, and technical information than ever before.

These PDF files are no longer being updated and will be removed by January 2001.



**Click this icon to try the new
Interactive Catalog.**

Sensing and Control
Honeywell Inc.
11 West Spring Street
Freeport, Illinois 61032





FEATURES

- Interchangeable without sensor-to-sensor recalibration
- Very small thermal mass for fast response
- Air or liquid temperature sensing
- Linear temperature sensitivity
- Proven thin film processing reliability
- Low cost
- Long term stability
- 2000 ohms nominal resistance at 20°C

TYPICAL APPLICATIONS

- HVAC – room, duct and refrigerant temperature
- Motors – overload protection
- Electronic circuits – semiconductor protection
- Process control – temperature regulation
- Automotive – air or oil temperature
- Appliances – cooking temperature

GENERAL INFORMATION

TD Series temperature sensors from MICRO SWITCH respond rapidly to temperature changes, and are accurate to $\pm 0.7^\circ\text{C}$ at 20°C —completely interchangeable without recalibration. They are RTD (resistance temperature detector) sensors, and provide $8 \Omega/^\circ\text{C}$ sensitivity, with inherently near linear outputs.

The sensing element is a silicon chip, 0.040×0.050 " with a thin film resistive network pattern. The chips are individually laser trimmed to provide 2000 ohms nominal resistance at room temperature (20°C), accurate to $\pm 0.7^\circ\text{C}$. Maximum error over the entire operating range of -40 to $+150^\circ\text{C}$ (-40 to $+302^\circ\text{F}$) is $\pm 2.5^\circ\text{C}$. This extremely accurate trimming provides true sensor-to-sensor interchangeability without recalibration of the user circuit.

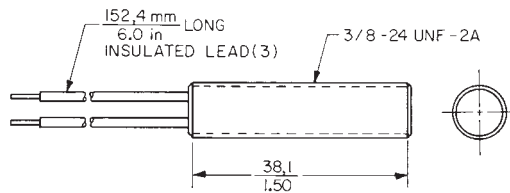
TD4A Liquid temperature sensor

TD4A liquid temperature sensor is a two-terminal threaded anodized aluminum housing. The environmentally sealed liquid temperature sensors are designed for simplicity of installation, such as in the side of a truck. TD4A sensors are not designed for total immersion. Typical response time (for one time constant) is 4 minutes in still air and 15 seconds in still water (unmounted position). The temperature rise is $0.12^\circ\text{C}/\text{milliwatt}$ suspended by leads in still air, and $0.08^\circ\text{C}/\text{milliwatt}$ when mounted on 1 square foot 0.25 " thick aluminum foil.

TD5A Miniature temperature sensor

The TD5A is a subminiature temperature sensor with three leads (center not connected). It has response times of 11.0 seconds and a temperature rise of $.23^\circ\text{C}$ per milliwatt in still air.

TD4A

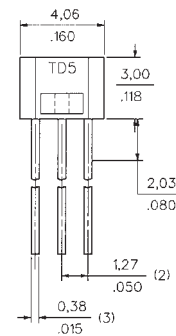
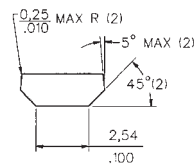


TD ORDER GUIDE

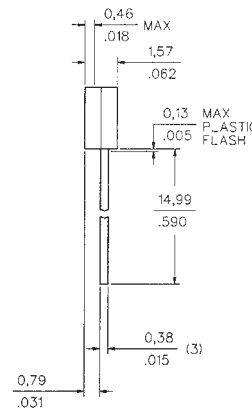
Catalog Listing	Description
TD4A	Liquid temperature sensor, 1.5° threaded (3/8-24 UNF-2A) anodized aluminum housing, two six inch black insulated leads
TD5A	Subminiature package, low cost, fast response time (TO-92)

MOUNTING DIMENSIONS (for reference only)

TD5A



Center lead
not connected



ABSOLUTE MAXIMUM RATINGS

Operating temperature range	-40 to +150°C (-40 to +302°F)
Storage temperature range	-55 to 165°C (-67 to +338°F)
Voltage	10 VDC Continuous (24 hours)

INTERCHANGEABILITY (with 100 mA maximum current)

Temperature	Resistance (Ohms)	Temperature	Resistance (Ohms)
-40°C (-40°F)	1584 ± 12 (1.9°C)	+60°C (140°F)	2314 ± 9 (1.1°C)
-30°C (-22°F)	1649 ± 11 (1.7°C)	+70°C (158°F)	2397 ± 10 (1.2°C)
-20°C (-4°F)	1715 ± 10 (1.5°C)	+80°C (176°F)	2482 ± 12 (1.4°C)
-10°C (14°F)	1784 ± 9 (1.3°C)	+90°C (194°F)	2569 ± 14 (1.6°C)
0°C (32°F)	1854 ± 8 (1.1°C)	+100°C (212°F)	2658 ± 16 (1.8°C)
+10°C (50°F)	1926 ± 6 (0.8°C)	+110°C (230°F)	2748 ± 18 (2.0°C)
+20°C (68°F)	2000 ± 5 (0.7°C)	+120°C (248°F)	2840 ± 19 (2.0°C)
+30°C (86°F)	2076 ± 5 (0.7°C)	+130°C (266°F)	2934 ± 21 (2.2°C)
+40°C (104°F)	2153 ± 6 (0.8°C)	+140°C (284°F)	3030 ± 23 (2.4°C)
+50°C (122°F)	2233 ± 7 (0.9°C)	+150°C (302°F)	3128 ± 25 (2.5°C)

It is recommended that resistance measurements be made at 100 μA or less to minimize internal heating of the sensor. Measurements at currents up to 1mA will not damage the sensor, but the resistance characteristics should be adjusted for internal heating.

Equation for computing resistance:

$$R_T = R_0 + (3.84 \times 10^{-3} \times R_0 \times T) + (4.94 \times 10^{-6} \times R_0 \times T^2)$$

R_T = Resistance at temperature T

R_0 = Resistance at 0°C

T = Temperature in °C

Figure 2
Linear Output Voltage Circuit

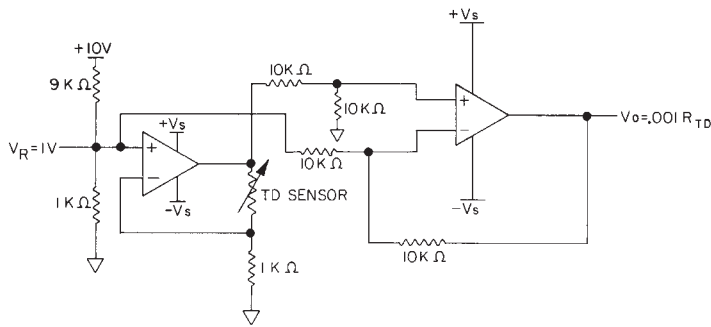
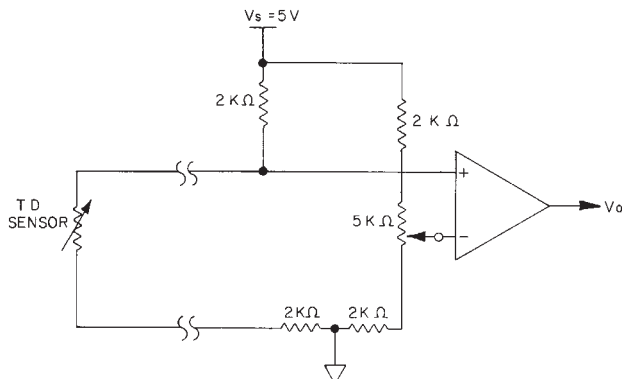


Figure 3
Adjustable Point (Comparator) Interface



Linearity

±2% (-25 to 85°C)

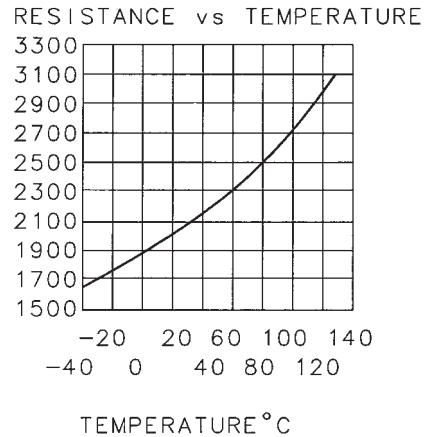
±3% (-40 to 150°C)

TD sensors can be linearized to within ±0.2%.

Repeatability

±1 Ω

Figure 1
TD Series Resistance vs Temperature



ELECTRICAL INTERFACING

The high nominal resistance, positive temperature coefficient and linear sensitivity characteristics of the TD Series temperature sensors simplifies the task of designing the electrical interface. Figure 2 is a simple circuit that can be used to linearize the voltage output to within 0.2% or a ±0.4°C error over a range of -40° to +150°C (-40° to +302°F).

In some applications, it may be desirable to detect one particular temperature. Figure 3 illustrates one way this can be accomplished. In the comparator circuit shown, the potentiometer can be adjusted to correspond to the desired temperature.