

Termostaty Honeywell Elmwood pre komerčné použitie



Automaticky resetované termostaty – fenolické	2450, 2450R, 2450HR, 2450K, 2455R
Automaticky resetované termostaty – keramické pre vysoké teploty	2450RC, 2450RCH, 2455RC
Manuálne resetované termostaty	2455RM, 2450CM
Automaticky resetované termostaty s lisovaným puzdrom	2455RBV
Termostaty na identifikáciu tepelného žiarenia	2450A, 2455RA
3/4" 25A termostaty	2500
3/4" rozmrazovacie termostaty	2570
„One Shot“ 1/2" a 3/4" termostaty	2450, 2455, 2541

Kontakt:

Honeywell, spol. s r.o.
Mlynské nivy 73
P.O.BOX 75
820 07 BRATISLAVA 27

Telefón: (02) 58247 400, Fax: (02) 58247 415
www.honeywell.com/sensing

Séria 2450, 2450R, 2450HR, 2450K, 2455R

Fenolické automaticky resetované termostaty



Použitie

napájacie zdroje
všeobecné použitie
farmaceutický priemysel

Prevedenie

- spínač s rozpínacími kontaktmi
- ovládaný bimetalovým diskom
- uložený vo fenolickom puzdre odolnom voči prachu a nečistotám

Vlastnosti

- extrémne rýchla doba odozvy
- nízky, kompaktný profil
- použitie do 15 A
- teplotná odolnosť do 150°C
- jednopólový s jednoduchým odtrhom
- kalibrácia podľa požiadaviek zákazníka
- certifikácia pre EU (2455R)

RATINGS

MODEL	CYCLES	120VAC	240 VAC	277 VAC
2450/2450K	100,000	8 Amps Res	—	—
2450HR	100,000	15 Amps Res	10 Amps Res	10 Amps Res
2450R	30,000	125 VA	125 VA	—
2455R	100,000	15 Amps Res	8.3 Amps Res	7.2 Amps Res
		44 FLA 26.4 LRA	2.2 FLA 13.2 LRA	—
		125 VA Pilot Duty	125 VA Pilot Duty	—
	6,000	5.8 FLA 34.8 LRA	2.9 FLA 17.4 LRA	—

UL and CSA Listings

2450	1/16" clearance through air and over surface UL File E36103 CSA File LR 21048
2455R	1/4" clearance through air and over surface UL File MH8267, File E36103 CSA File LR21048
2450K	1/16" clearance through air and over surface UL File E36103 CSA File LR21048
2450HR	1/16" clearance through air and over surface UL File E36103 CSA File LR21048
2450R	1/16" clearance through air and over surface UL File E36103 CSA File LR 21048

Séria 2450, 2450R, 2450HR, 2450K, 2455R

Fenolické automaticky resetované termostaty

Standard Temperature Characteristics

Temperature Set Point Ranges If unit falls in overlapping range use higher range	Tolerance Allowable ^o ± at temperature set points		Mean Differential Number of degrees between opening and closing nominal temperatures		Price Group*
	Open ±°F ±°C	Close ±°F ±°C	°F	°C	

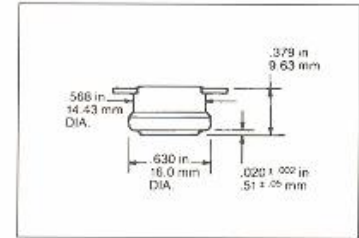
	Open		Close		°F	°C	Price Group*
	±°F	±°C	±°F	±°C			
32 to 79°F	7	4	10	6	50 to 60	28 to 34	II
0 to 26°C	6	4	10	6	40 to 49	22 to 27	II
	6	4	9	5	30 to 39	17 to 22	III
	6	4	8	5	25 to 29	14 to 16	IV
	5	3	8	5	20 to 24	11 to 14	V
	5	3	8	5	15 to 19	8 to 11	VI
	80 to 180°F	9	5	15	8	81 to 100	45 to 56
27 to 82°C	7	4	11	6	61 to 80	34 to 45	I
	6	4	10	6	50 to 60	28 to 34	I
	5	3	10	6	40 to 49	22 to 27	I
	5	3	9	5	30 to 39	17 to 22	II
	5	3	8	5	25 to 29	14 to 16	III
	5	3	8	5	20 to 24	11 to 14	IV
	5	3	8	5	15 to 19	8 to 11	V
	181 to 230°F	10	6	15	8	81 to 100	45 to 56
83 to 110°C	8	5	15	8	61 to 80	34 to 45	I
	7	4	12	7	50 to 60	28 to 34	I
	6	4	10	6	40 to 49	22 to 27	I
	6	4	9	5	30 to 39	17 to 22	II
	6	4	8	5	25 to 29	14 to 16	III
	6	4	8	5	20 to 24	11 to 14	IV
	6	4	8	5	15 to 19	8 to 11	V
	231 to 302°F	12	7	18	10	81 to 100	45 to 56
111 to 150°C	9	5	15	8	61 to 80	34 to 45	I
	8	5	12	7	50 to 60	28 to 34	I
	7	4	12	7	40 to 49	22 to 27	I
	7	4	11	6	30 to 39	17 to 22	II
	7	4	10	6	25 to 29	14 to 16	III

*Grouped according to level of accuracy required. Group I with the greatest latitude is less expensive than Group II, etc. °C have been tabulated to the nearest degree Celsius compatible to the testing and manufacturing capability in °C. Consult factory for tolerances and temperatures not listed.

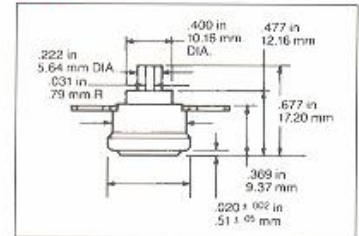
NOTE: Temperature checking methods may be slightly different, and allowance for a 1°C variance should be considered.

Dimensional Specifications

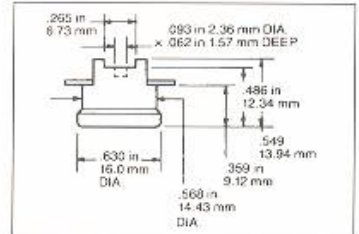
2450



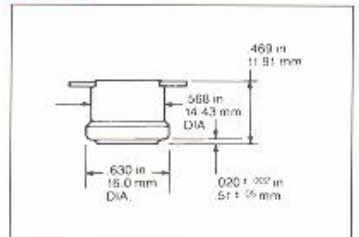
2450K



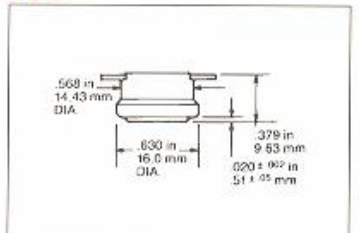
2450HR



2455R



2450R



See Terminal or Bracket Guides for other options.

Séria 2450RC, 2450RCH, 2455RC

Keramické automaticky resetované termostaty pre vysoké teploty



Použitie

„table top“ aplikácie
kancelárske stroje
priemyselné zariadenia

Prevedenie

- spínač s rozpínacími kontaktmi
- ovládaný bimetalovým diskom
- uložený vo keramickom puzdre

Vlastnosti

- extrémne rýchla doba odozvy
- nízky, kompaktný profil
- vysoká teplotná odolnosť (-18° až 288°C)
- použitie do 15 A
- jednopólový s jednoduchým odtrhom
- kalibrácia podľa požiadaviek zákazníka
- pre vyššiu citlivosť existuje aj vyhotovenie s odkrytým bimetalovým diskom
- certifikácie aj pre EU

RATINGS

MODEL	CYCLES	120VAC	240 VAC
2450RCH	100,000	15 Amps	10 AMP
2450RC	30,000	125 VA	125 VA
2455RC	100,000	15 AMP	10 AMP
	100,000	4.4 FLA 26.4 LRA	2.2 FLA 13.2 LRA
	6,000	5.8 FLA 34.8 LRA	2.9 FLA 17.4 LRA
	6,000	125 VA	125 VA

UL and CSA Listings

UL and CSA listings are for use in equipment where the acceptability of the combination of the thermostat and equipment is determined by Underwriter's Laboratories, Inc. and/or Canadian Standards Association.

2450RCH	1/16" clearance through air and over surface UL File E36103 CSA File LR21048
2450RC	1/16" clearance through air and over surface UL File E36103 CSA File LR21048
2455RC	1/4" clearance through air and over surface UL File E36103 CSA File LR21048

Séria 2450RC, 2450RCH, 2455RC

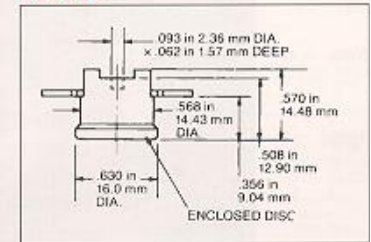
Keramické automaticky resetované termostaty pre vysoké teploty

Standard Temperature Characteristics

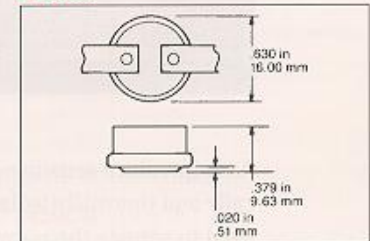
Temperature Set Point Ranges If unit falls in overlapping range use higher range	Tolerance Allowable [†] ± at temperature set points		Mean Differential Number of degrees between opening and closing nominal temperatures		Price Group [†]		
	Open		Close		°F	°C	
	±°F	±°C	±°F	±°C			
32 to 79°F 0 to 26°C	7	4	10	6	50 to 60	28 to 34	II
	6	4	10	6	40 to 49	22 to 27	II
	6	4	9	5	30 to 39	17 to 22	III
	6	4	8	5	25 to 29	14 to 16	IV
	5	3	8	5	20 to 24	11 to 14	V
	5	3	8	5	15 to 19	8 to 11	VI
80 to 180°F 27 to 82°C	9	5	15	8	81 to 100	45 to 56	I
	7	4	11	6	61 to 80	34 to 45	I
	6	4	10	6	50 to 60	28 to 34	I
	5	3	10	6	40 to 49	22 to 27	I
	5	3	9	5	30 to 39	17 to 22	II
	5	3	8	5	25 to 29	14 to 16	III
	5	3	8	5	20 to 24	11 to 14	IV
	5	3	8	5	15 to 19	8 to 11	V
181 to 230°F 83 to 110°C	10	6	15	8	81 to 100	45 to 56	I
	8	5	15	8	61 to 80	35 to 45	I
	7	4	12	7	50 to 60	28 to 34	I
	6	4	10	6	40 to 49	22 to 27	I
	6	4	9	5	30 to 39	17 to 22	II
	6	4	8	5	25 to 29	14 to 16	III
	6	4	8	5	20 to 24	11 to 14	IV
	6	4	8	5	15 to 19	8 to 11	V
231 to 300°F 111 to 149°C	12	7	18	10	81 to 100	45 to 56	I
	9	5	15	8	61 to 80	34 to 45	I
	8	5	12	7	50 to 60	28 to 34	I
	7	4	12	7	40 to 49	22 to 27	I
	7	4	11	6	30 to 39	17 to 22	II
	7	4	10	6	25 to 29	14 to 16	III
301 to 335°F 150 to 170°C	15	8	20	11	71 to 80	39 to 45	III
	10	6	20	11	61 to 70	34 to 39	IV
	10	6	15	8	50 to 60	28 to 33	V
	10	6	12	7	40 to 49	22 to 27	VI
336 to 425°F 171 to 220°C	25	14	25	14	91 to 100	51 to 56	II
	20	11	20	11	71 to 90	39 to 50	III
	15	8	20	11	50 to 70	28 to 39	IV
426 to 450°F 221 to 235°C	25	14	25	14	91 to 100	51 to 56	III
	20	11	20	11	71 to 90	39 to 50	IV
	15	8	20	11	50 to 70	28 to 39	V
451 to 500°F 236 to 260°C	25	14	25	14	60 to 100	31 to 56	V
	20	11	20	11	50 to 90	28 to 50	VI

Dimensional Specifications

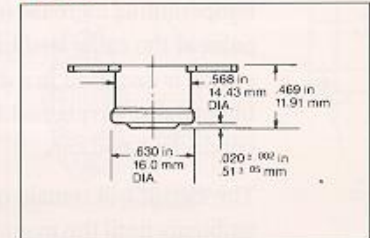
2450RCH



2450RC



2455RC



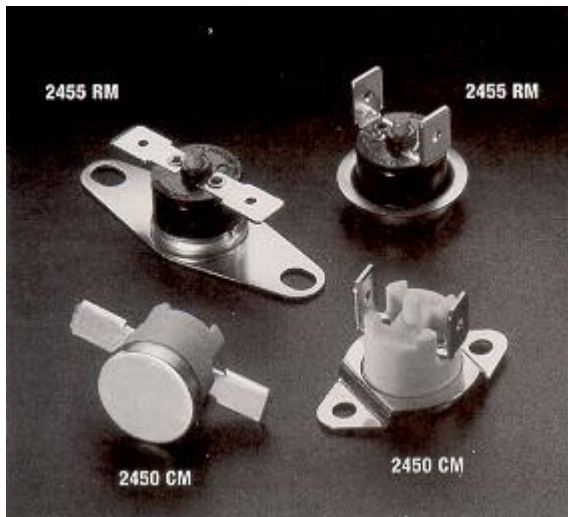
See Terminal or Bracket Guides for other options.

[†]Grouped according to level of accuracy required. Group I with the greatest latitude is less expensive than Group II, etc. °C have been tabulated to the nearest degree Celsius compatible to the testing and manufacturing capability in °C. Consult factory for tolerances and temperatures not listed.

NOTE: Temperature checking methods may be slightly different, and allowance for a 1°C variance should be considered.

Séria 2455RM (fenolický), 2450CM (keramický)

Manuálne resetované termostaty



Použitie

HVAC zariadenia
kancelárske stroje
farmaceutické zariadenia

Prevedenie

- spínač s rozpínacími kontaktmi
- ovládaný bimetalovým diskom
- uložený vo puzdre odolnom voči prachu a nečistotám
- po aktivovaní ostáva spínaný obvod rozopnutý až do stlačenia resetovacieho tlačidla

Vlastnosti

- nízky, kompaktný profil
- rýchla doba odozvy
- použitie do 15 A
- teplotná odolnosť do 232°C
- jednopólový s jednoduchým odtrhom
- kalibrácia podľa požiadaviek zákazníka
- pre vyššiu citlivosť existuje aj vyhotovenie s odkrytým bimetalovým diskom
- certifikácie aj pre EU

RATINGS

MODEL	CYCLES	120VAC	240 VAC
2450CM		15 AMP	10 AMP
2455RM	6,000	4.4 FLA 26.4 LRA 125 VA	2.2 FLA 13.2 LRA 125 VA

UL and CSA Listings

UL and CSA listings are for use in equipment where the acceptability of the combination of the thermostat and equipment is determined by Underwriter's Laboratories, Inc. and/or Canadian Standards Association.

UL File E36103	Limitations—Type 2455RM and 2450CM are intended as a manual reset control. They are not to be used on applications where a limit thermostat is required unless back-up protection is provided. Units have been tested by UL for 1,000 cycles under load, 5000 cycles no load, and are not considered limit devices.

FLA: Full Load Amp
LRA: Locked Rotor Amp
Contacts are available for millivolt and milliamp applications.

Séria 2455RM (fenolický), 2450CM (keramický)

Manuálne resetované termostaty

Standard Temperature Characteristics–2455RM

Temperature Set Point Ranges	Tolerance Allowable* ± at temperature set point		Automatic Reset Temperature*	Price Group**
	±°F	±°C		
125 to 200°F (52 to 93°C)	8	5	Below 40°F(5°C)	I
201 to 250°F (94 to 121°C)	10	6	Below 40°F(5°C)	I
251 to 302°F (122 to 150°C)	12	7	Below 40°F(5°C)	I

*Can be reset manually when temperature drops approx. 30% below its operating temperature.

**Grouped according to level of accuracy required. Group I with the greatest latitude is less expensive than Group II, etc.

NOTE: Temperature checking methods may be slightly different, and allowance for a 1°C variance should be considered.

Standard reset pin will be supplied in red.

Standard Temperature Characteristics–2450CM

Temperature Set Point Ranges	Tolerance Allowable* ± at temperature set point		Automatic Reset Temperature*	Price Group**
	±°F	±°C		
125 to 200°F (52 to 93°C)	8	5	Below 40°F(5°C)	I
201 to 250°F (94 to 121°C)	10	6	Below 40°F(5°C)	I
251 to 300°F (122 to 149°C)	12	7	Below 40°F(5°C)	I
301 to 350°F (150 to 177°C)	15	8	Below 40°F(5°C)	I
351 to 400°F (177 to 204°C)	18	10	Below 40°F(5°C)	II
401 to 450°F (205 to 232°C)	20	11	Below 40°F(5°C)	II

*Can be reset manually when temperature drops approx. 30% below its operating temperature.

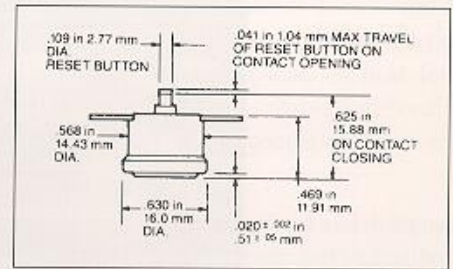
**Grouped according to level of accuracy required. Group I with the greatest latitude is less expensive than Group II, etc.

NOTE: Temperature checking methods may be slightly different, and allowance for a 1°C variance should be considered.

Standard reset pin will be supplied in white.

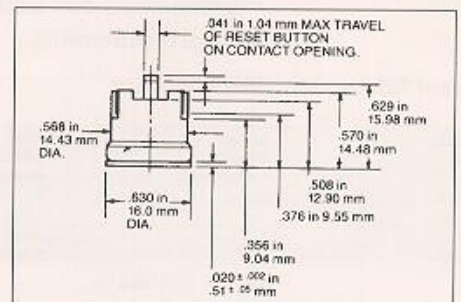
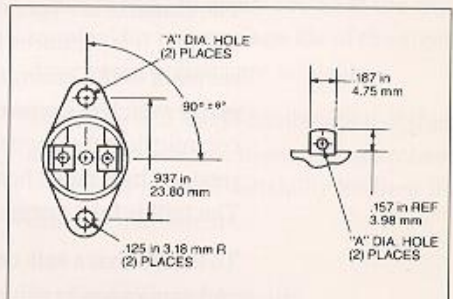
Dimensional Specifications

2455RM



See Terminal or Bracket Guides for other options.

2450CM



See Terminal or Bracket Guides for other options.

Séria 2455RBV

Automaticky resetované termostaty s lisovaným puzdrom



2455 RBV (All 4)

Použitie

automobilový priemysel
priemyselné zariadenia

Prevedenie

- spínač s rozpínacími kontaktmi
- ovládaný bimetalovým diskom
- uložený vo fenolickom alebo keramickom puzdre odolnom voči prachu
- celok zaliaty v epoxide

Vlastnosti

- vysoká elektrická odolnosť
- použitie do 15 A
- teplotná odolnosť do 105°C
- jednopólový s jednoduchým odtrhom
- kalibrácia podľa požiadaviek zákazníka
- certifikácie aj pre EU

RATINGS

MODEL	CYCLES	120VAC	240 VAC
2455RBV	100,000	15 Amp Resistive	8.3 Amp Resistive
	6,000	5.8 FLA 34.8 LRA	2.9 FLA 17.4 LRA
	100,000	4.4 FLA 26.4 LRA	2.2 FLA 13.2 LR
		125 VA Pilot Duty	125 VA Pilot Duty

FLA: Full Load Amp

LRA: Locked Rotor Amp

Contacts are available for millivolt and millamp applications.

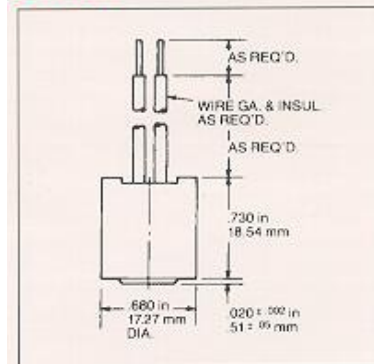
UL and CSA Listings

Recognized under UL File SA4469, CSA File LR21048. The construction of the 2455RBV features a patented metal sleeve insert-rivet construction that allows for satisfactory approvals by European Approval Agencies.

2455RBV .182 electrical spacing clearance to ground

Dimensional Specifications

2455RBV



See Terminal or Bracket Guides for other options.

Standard Temperature Characteristics

Temperature Set Point Ranges If unit fails in overlapping range use higher range	Tolerance Allowable ¹ ± at temperature set point		Mean Differential Number of degrees between opening and closing nominal temperatures		Price Group*		
	Open		Close				
	±°F	±°C	±°F	±°C		°F	°C
10 to 80°F	7	4	10	6	30 to 80	17 to 44	I
-12.2 to 26.7°C	6	3	8	4	25 to 50	14 to 28	II
	5	3	8	4	20 to 40	11 to 22	III
81 to 221°F	6	3	10	6	30 to 80	17 to 44	I
27.2 to 105°C	5	3	8	4	25 to 50	14 to 28	II
	5	3	8	4	20 to 40	11 to 22	II

*Grouped according to level of accuracy required. Group I with the greatest latitude is less expensive than Group II, etc. °C have been tabulated to the nearest degree Celsius compatible to the testing and manufacturing capability in °C. Consult factory for tolerances and temperatures not listed.

NOTE: Temperature checking methods may be slightly different, and allowance for a 1°C variance should be considered.

Séria 2450A, 2455RA

Termostaty na identifikáciu tepelného žiarenia

Použitie

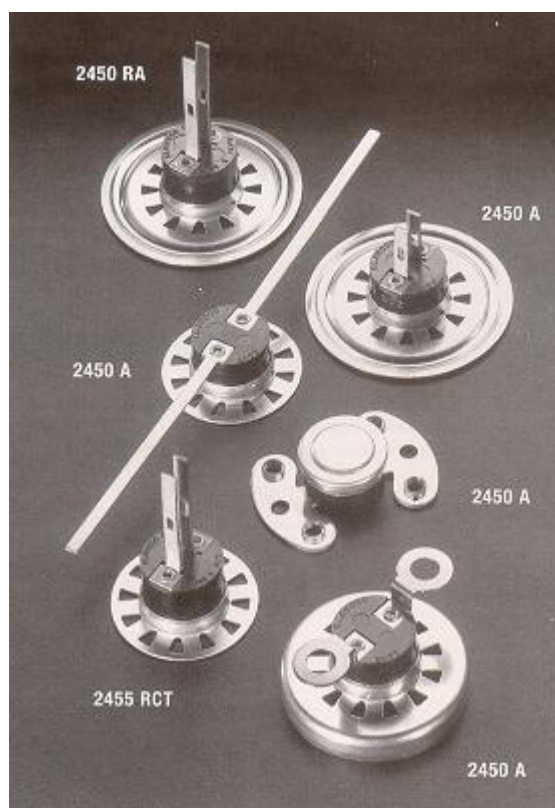
požiarne alarmy
bezpečnostné zariadenia
detektory dymu
aplikácie od počítačových
miestností až po uhoľné bane

Prevedenie

- konštrukcia vhodná pre fotoelektrické aj ionizačné typy detektorov
- pozlátené kontakty
- zaliate do epoxidu pre predĺženie životnosti

Vlastnosti

- priemery 15', 30', 50'
- rôzne typy dekoratívnych prevedení
- rozsah teplôt od 47°C do 107°C



Séria 2450A, 2455RA

Konfigurácie produktov

RATINGS

120 VAC; 3 Amps

UL and Listing

2450A/2455RA UL File S1015 and S1389
Guide USCV2 and TA022

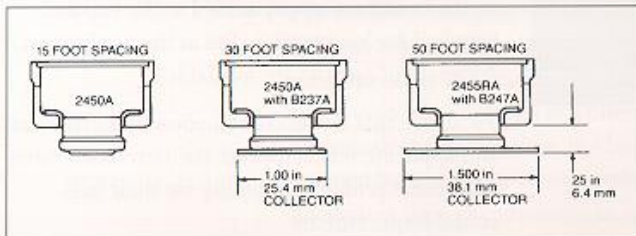
Mountings

Final approval of a fire detection system is determined by UL as outlined in UL #521 and UL #217 for the suitability of the combination of the thermostat (2450A/2455RA) and the user's mounting base, together with its intended application of the total fire detection system. To assist the user with design and testing, a minimum of 1/4" extension beyond the housing is recommended.

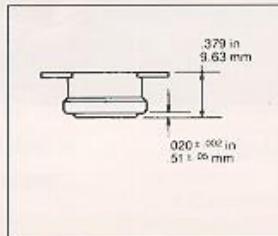
Standard Temperature Characteristics-2455RA

Detection (Close on Rise)				Release (Open on Rise)			
Close		Open		Open		Close	
°F	°C	°F	°C	°F	°C	°F	°C
117±5	47±3	85 min.	30 min.	117±5	57±3	85 min.	30 min.
135±5	57±3	90 min.	32 min.	135±5	57±3	90 min.	32 min.
156±5	69±3	90 min.	32 min.	156±5	69±3	90 min.	32 min.
185±7	85±4	90 min.	32 min.	185±7	85±4	90 min.	32 min.
225±7	107±4	90 min.	32 min.	225±7	107±4	90 min.	32 min.

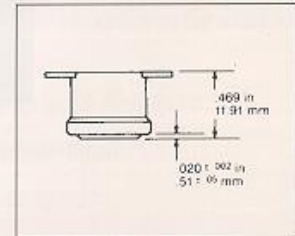
NOTE: Above are standard temperatures for the 2450A/2455RA Heat Detection Thermostats. Additional switches can be provided as long as they fall between 117°F-225°F, close on rise or open on rise. Consult factory for tolerances and temperatures not listed. Call factory for price list.



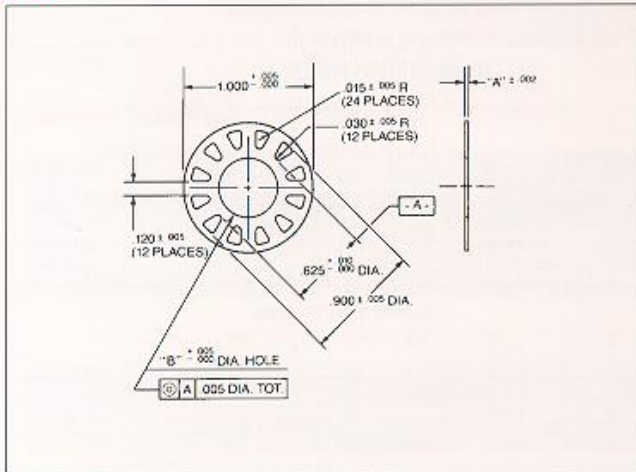
2450A



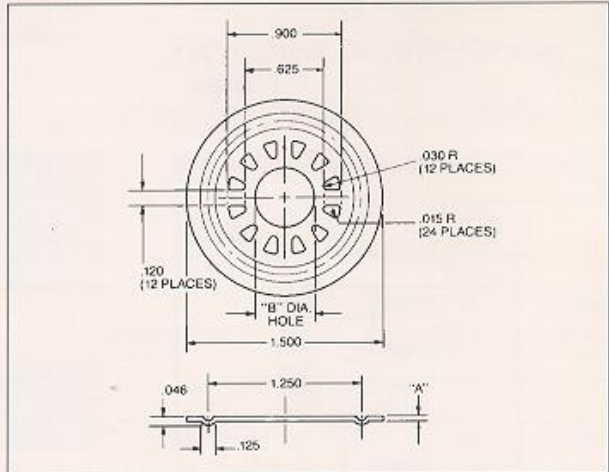
2455RA



B237

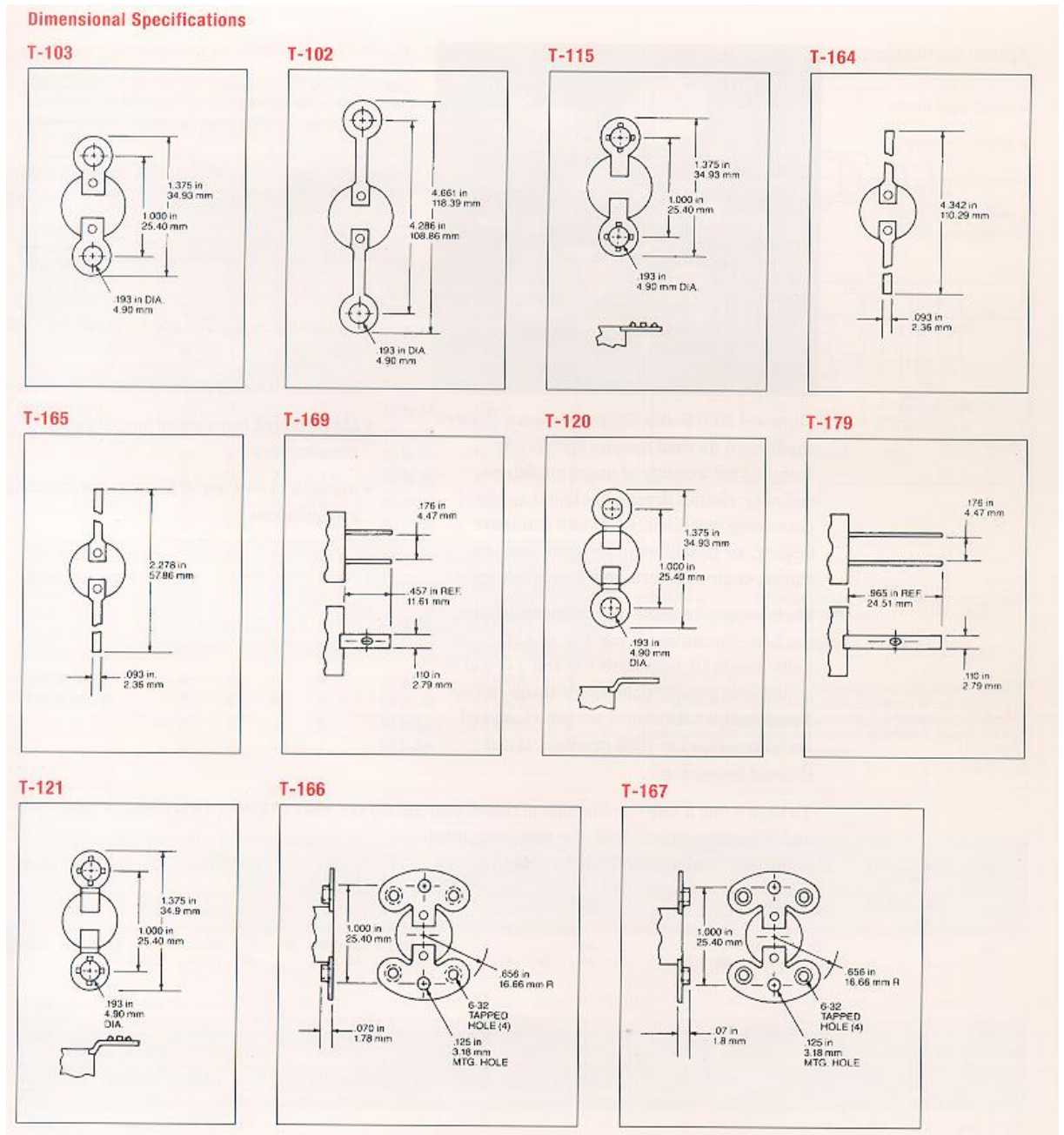


B247



Séria 2450A, 2455RA

Konfigurácie produktov



Séria 2500

3/4" 25A termostaty

Použitie

HVAC zariadenia
všeobecné aplikácie
priemyselné zariadenia
potravinársky priemysel

Prevedenie

- spínacie, alebo rozpínacie kontakty
- široká škála prevedení kontaktov a uchytení

Vlastnosti

- výroba podľa individuálnych požiadaviek
- do 25 A, 240V
- výstupná kontrola každého kusu po teplotnej kalibrácii



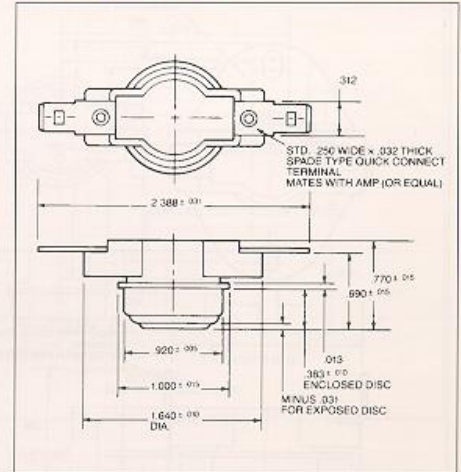
Séria 2500

3/4" 25A termostaty

Standard Temperature Settings

Temperature Set Point Ranges <small>If unit falls in overlapping range use higher range</small>	Tolerance Allowable ^o ± at temperature set points				Mean Differential Number of degrees between opening and closing nominal temperatures		Price Group*
	Open		Close		°F	°C	
	±°F	±°C	±°F	±°C			
0 to 79°F -18 to 26°C	6	3	6	3	10 to 14	5 to 7	IV
	6	3	6	3	15 to 19	8 to 11	III
	6	3	6	3	20 to 29	12 to 16	II
	7	4	7	4	30 to 39	17 to 22	I
	8	4	9	5	40 to 59	23 to 33	I
80 to 200°F 27 to 82°C	9	5	10	6	60 to 80	34 to 35	II
	5	3	5	3	10 to 14	5 to 7	IV
	5	3	5	3	15 to 19	8 to 11	III
	5	3	7	4	20 to 29	12 to 16	II
	6	3	7	4	30 to 39	17 to 22	I
201 to 250°F 83 to 121°C	6	3	9	5	40 to 59	23 to 33	I
	8	4	10	6	60 to 80	34 to 45	II
	5	3	6	3	15 to 19	8 to 11	III**A
	5	3	7	4	20 to 29	12 to 16	II
	6	3	8	4	30 to 39	17 to 22	I
251 to 302°F 122 to 150°C	7	4	9	5	40 to 59	23 to 33	I
	8	4	11	6	60 to 80	34 to 45	II
	8	4	8	4	20 to 29	12 to 16	II
	7	4	9	5	30 to 39	17 to 22	I
	8	4	11	6	40 to 59	23 to 33	I
	9	5	13	7	60 to 80	34 to 45	II

B501 Cap Small Flange



*Grouped according to level of accuracy required. Group I with greatest latitude is less expensive than Group II, etc.

**With 15 to 19° F Differential-Maximum Set Point 220°F

CALIBRATION TEMPERATURES

The temperature tolerance and differentials listed above are standard. If your requirements are not listed, please consult the factory. The "differential" is the number of degrees between the nominal open and nominal close. For example: A thermostat calibrated to open at 170°F ± 9°F has a 40°F temperature differential.

2500 Series

3/4" DISC THERMOSTAT TEMPERATURE EXPOSURE: 302°F MAX.

Model	Type	Clearance	Cycles	120 Volts AC				240-250 Volts AC				277 Volts AC			480 Volts AC		12 VDC	120 Volts AC
				RES AMPS	HP	1 Ø IND. FLA	LRA	VA Pilot Duty	RES AMPS	HP	1 Ø IND. FLA	LRA	VA Pilot Duty	RES AMPS	HP	1 Ø IND. FLA		
2511	L AND F	1/8 Air	100,000	25	1/2	10	60	200	25		406	22		406	13		15	
		1/4 Surface	30,000	25	16	84	200	25	8	42	406	22	8	42	406	13	30	
2521		1/4 Air 3/8 Surface																
2512	L AND F	1/8 Air 1/4 Surface	100,000	15	1/6	4.4	26.4	125	15	1/16	2.2	13.2	125	10	125		15	
2522		1/4 Air 3/8 Surface	6,000	15	1/4	5.8	34.8	125	15	1/4	2.9	17.4	125					
2519	L AND F	1/8 Air	100,000	0.1					0.1							0.1		
		1/4 Surface	30,000															
2529		1/4 Air 3/8 Surface	6,000												1.0	1.0		

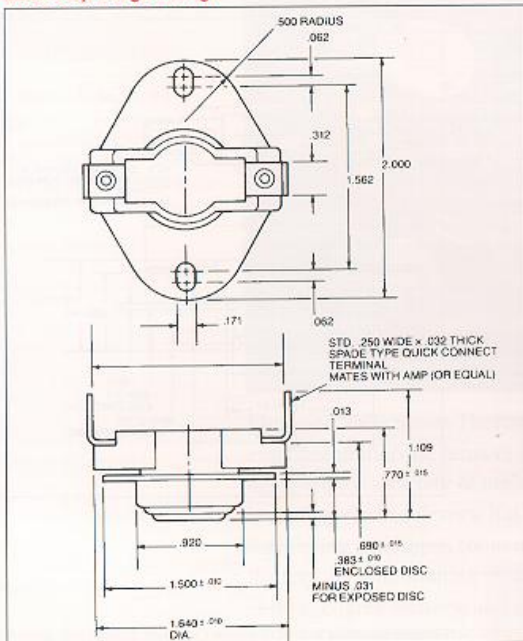
Contacts are available for millivolt and milliamp applications. Consult factory for exact approval agency listings.

Séria 2500

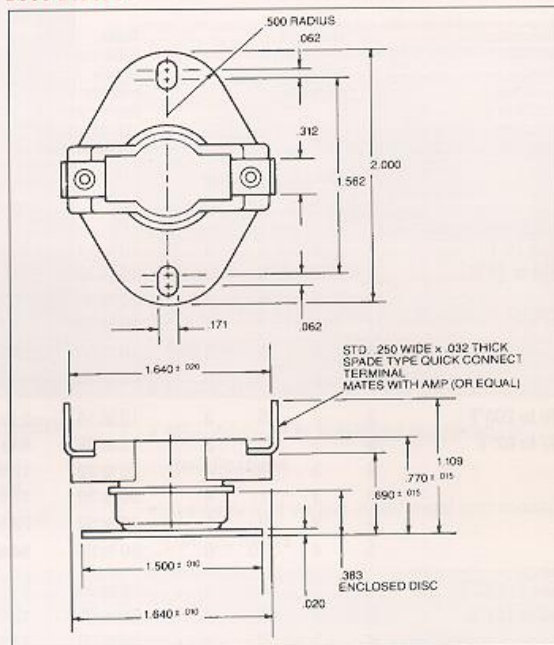
Terminály a svorky

Dimensional Specifications

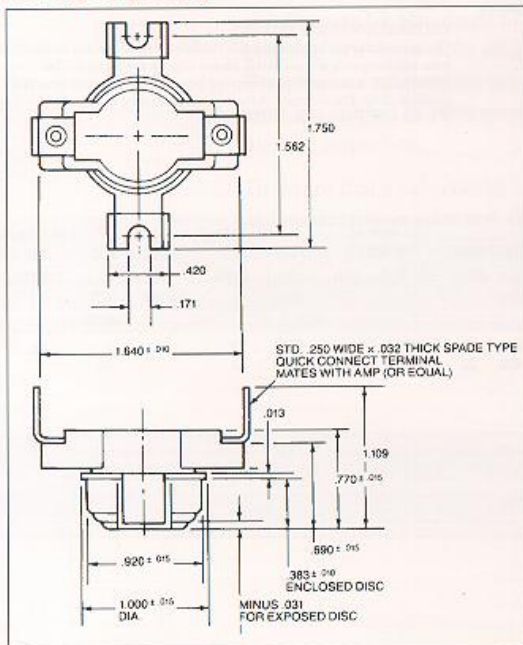
B502 Cap Large Flange



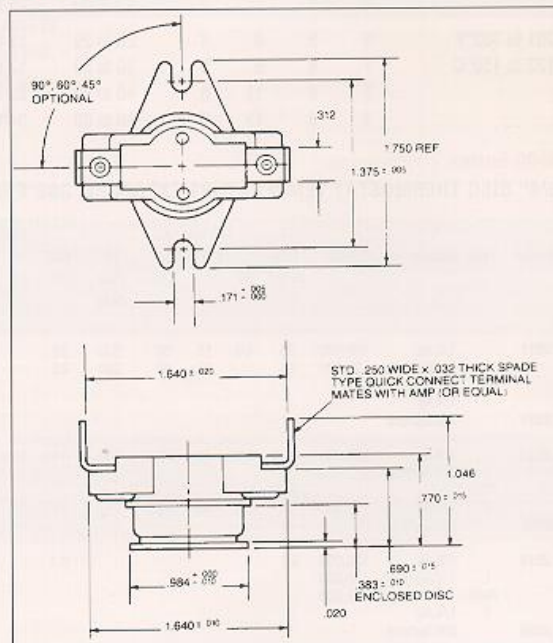
B503 Bracket



B504 Cap Large Flange



B507 Bracket

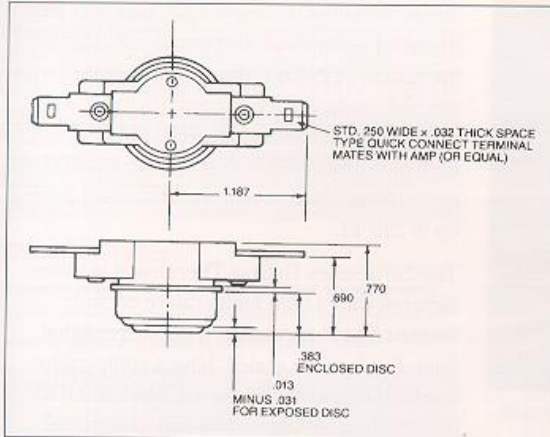


Séria 2500

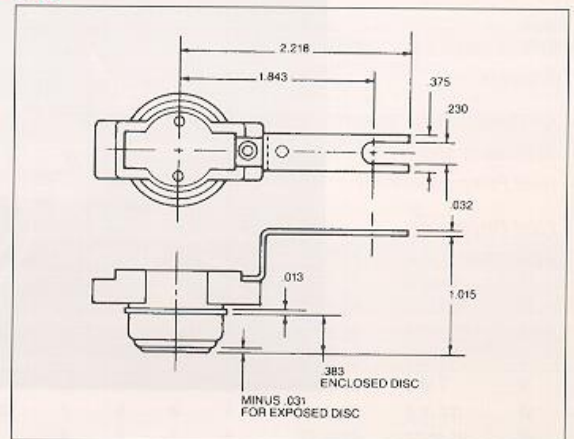
Terminály a svorky

Terminals

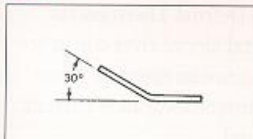
T501 0° As Shown



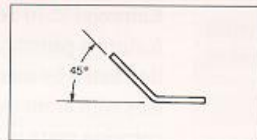
T507



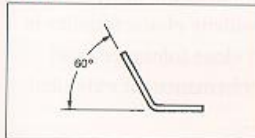
T502



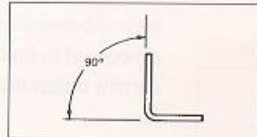
T503



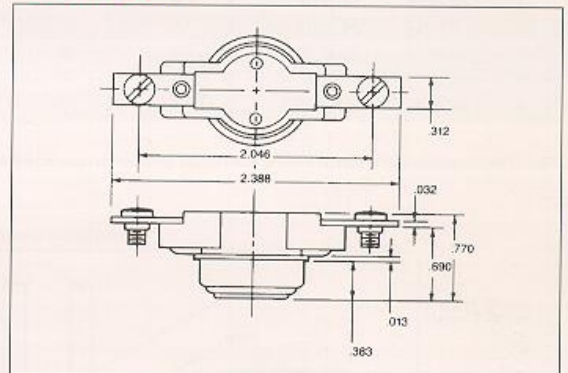
T504



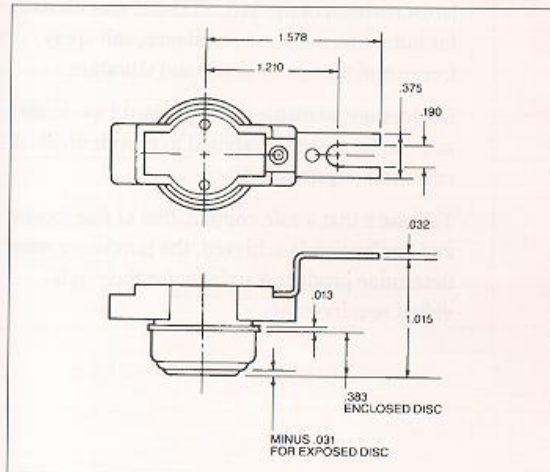
T505



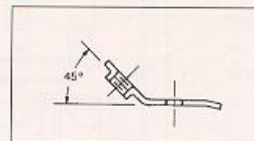
T508 0° As Shown



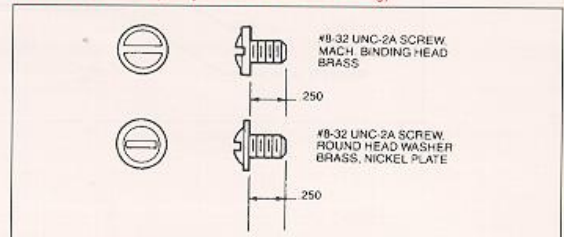
T506



T509



Screws (Please Specify if Needed When Ordering)



Séria 2570

3/4" rozmrazovacie termostaty

Použitie

chladničky a mrazničky
klimatizačné zariadenia
ventilačné a ohrievacie zariadenia
potravinársky priemysel

Prevedenie

- patentovaná konštrukcia
- izolácia vodičov - PVC

Vlastnosti

- výrobok spája overenú spoľahlivosť produktov série 2455RC s vysokou výkonnosťou 3/4" termostatov
- rozsah -29°C až 105°C
- rýchly čas odozvy a vysoká citlivosť
- dlhá životnosť
- možná výroba podľa individuálnych požiadaviek
- do 8,3 A, 240V



Séria 2570

3/4" rozmrazovacie termostaty

RATINGS

MODEL	CYCLES	120VAC	240 VAC
2570	100,000	15 Amps Res	8.3 Amps Res
	100,000	4.4 FLA	2.2 FLA
	100,000	26.4 LRA	13.2 LRA
		125 VA	125 VA
		Pilot Duty	Pilot Duty

UL and CSA Listings

Recognized under UL File SA4469, CSA File LR21048. The construction of the 2455RBV features a patented metal sleeve insert-rivet construction that allows for satisfactory approvals by European Approval Agencies.

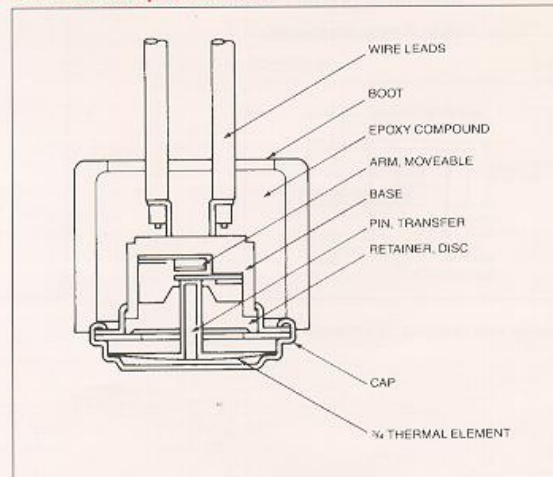
2570	UL Recognized Component: File SA4469, LF21048 CSA Certified: CSA File LR91244
------	----------------------------------------------------------------------------------

Standard Temperature Characteristics

Temperature Set Point Ranges If unit falls in overlapping range use higher range	Tolerance Allowable* ± at temperature set points		Mean Differential Number of degrees between opening and closing nominal temperatures		°F	°C	Price Group*
	Open ±°F	±°C	Close ±°F	±°C			
-20 to 80°F -28.89 to 26.67°C	5	3	6	3	10 to 14	5 to 7	V
	5	3	6	3	15 to 19	8 to 11	IV
	5	3	6	3	20 to 29	12 to 16	III
	5	3	7	4	30 to 39	17 to 22	II
81 to 200°F 27.22 to 93.33°C	5	3	7	4	40 to 80	23 to 35	I
	5	3	6	3	10 to 14	5 to 7	V
	5	3	6	3	15 to 19	8 to 11	IV
	5	3	7	4	20 to 29	12 to 16	III
201 to 221°F 93.89 to 105°C	6	3	8	4	30 to 39	17 to 22	II
	7	4	9	5	40 to 80	23 to 35	I
	5	3	7	4	15 to 19	8 to 11	IV
	5	3	7	4	20 to 29	12 to 16	III
93.89 to 105°C	6	3	8	4	30 to 39	17 to 22	II
	7	4	9	5	40 to 80	23 to 35	I

*Grouped according to level of accuracy required. Group I with greatest latitude is less expensive than Group II, etc.

Dimensional Specifications



Séria 2450, 2455, 2541

„One Shot“ 1/2" a 3/4" termostaty



RATINGS

MODEL	CYCLES	120VAC	240 VAC	277 VAC	480VAC	48 VDC
S35*	1	15**	10	10		
2541	1		40		13	12

Contacts are available for millivolt and milliamp applications.
Consult Elmwood for additional ratings.

* Will reset below -31°F, -35°C

** Amp Resistive

UL and CSA Listings

UL and CSA Listings are for use in equipment where the acceptability of the combination of the thermostat and equipment is determined by Underwriter's Laboratories, Inc. and/or Canadian Standards Association

UL File E36103, MH8267 CSA File LR43279

Použitie

kancelárske zariadenia
HVAC zariadenia

Prevedenie

- jednopólové s jednoduchým odtrhom

Vlastnosti

- vysoká teplotná odolnosť (-18°C až 316°C)
- do 40 A
- kalibrované v procese výroby podľa požiadaviek zákazníka

Séria 2450, 2455, 2541

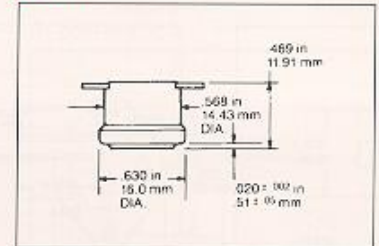
„One Shot“ 1/2" a 3/4" termostaty

Standard Temperature Characteristics

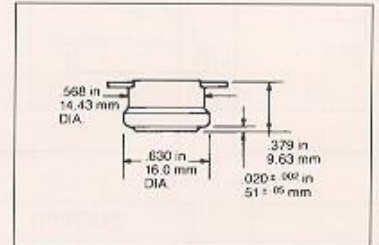
Temperature Set Point Ranges	Tolerance Allowable° ± at temperature set points		Price Group*
	±°F	±°C	
125 to 200°F (52 to 93°C)	8	5	
201 to 250°F (94 to 121°C)	10	6	
251 to 300°F (122 to 149°C)	12	7	
301 to 350°F (150 to 177°C)	15	8	
351 to 400°F (177 to 204°C)	18	10	
401 to 450°F (205 to 232°C)	20	11	
451 to 500°F (232 to 260°C)	25	14	

Dimensional Specifications

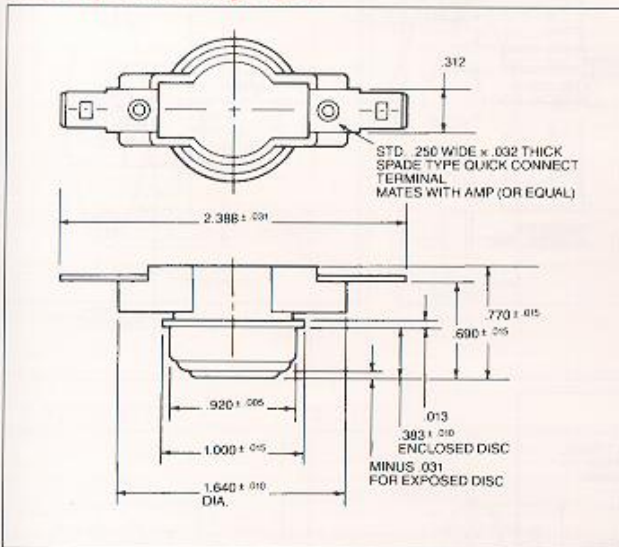
2455R



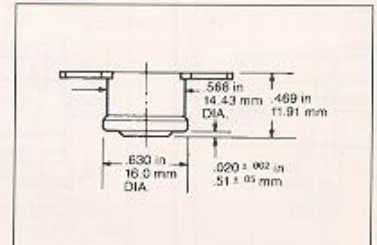
2450R



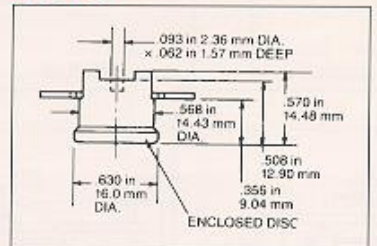
B501 Cap Small Flange 2541



2455RC



2450RCH



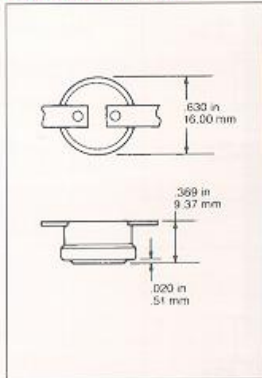
See Terminal or Bracket Guides for other options

Svorky

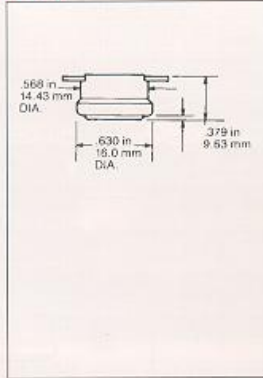
Basic Dimensions

2450/2450HR/2450K/2450R/2450CM/2450RC/2450RCH/2455R/2455RC/2455RM/2455RBV

2450/2450A/2450RC

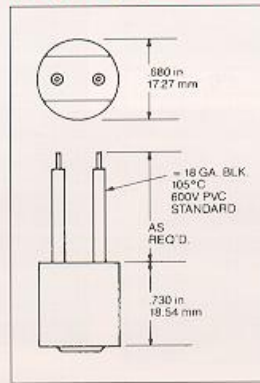


2450R

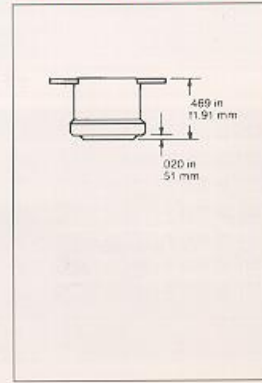


Epoxy Overmold RB Type

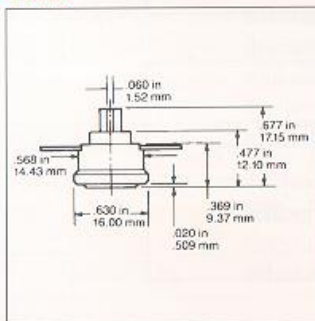
Specify wire gauge, type and length



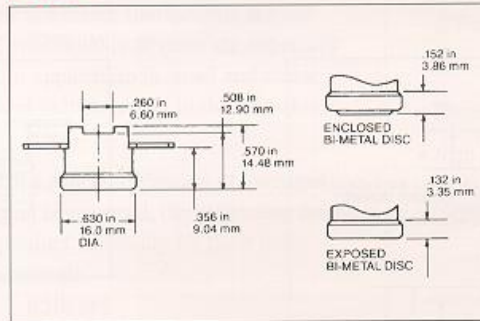
2455R/2455RA/2455RC



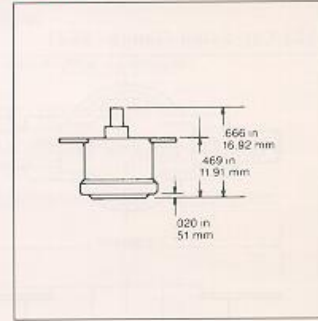
2450K



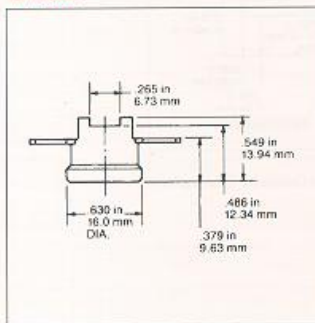
2450RCH



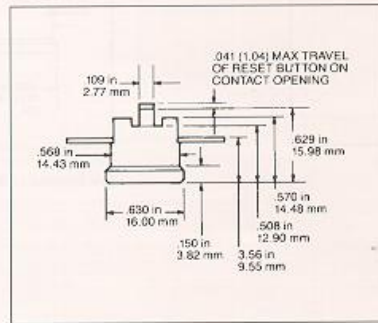
2455RM



2450HR



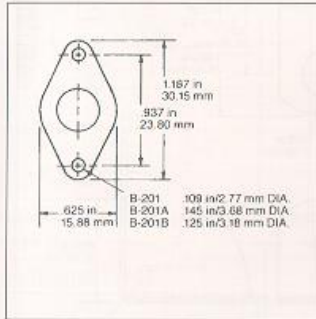
2450CM



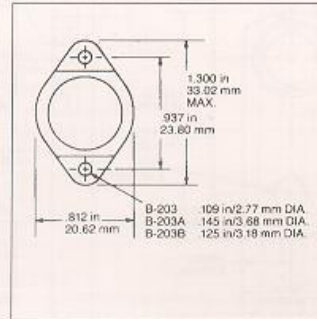
*For 1/2" and One Shot Thermostats only.

Svorky

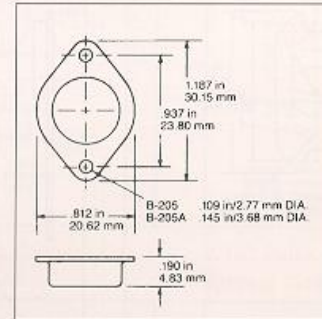
Stationary Surface Brackets B-201/B-201A/B-201B



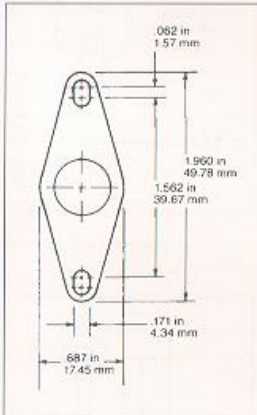
Moveable Surface Bracket B-203/B-203A/B-203B



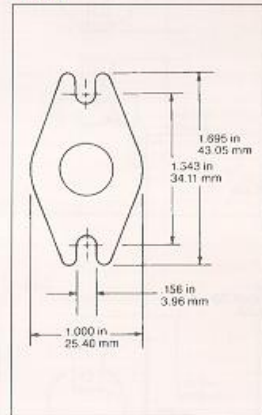
Air Stream Bracket B-205/B-205A



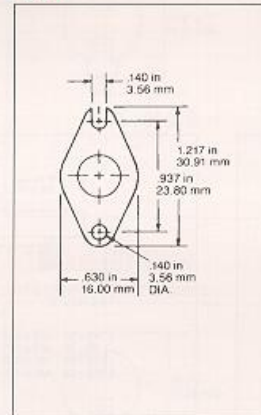
Special Mounting Brackets B-206



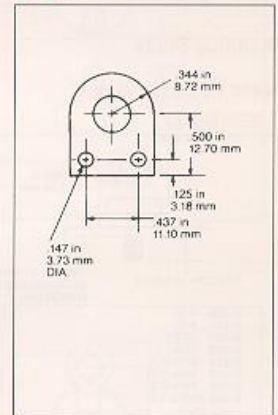
B-207



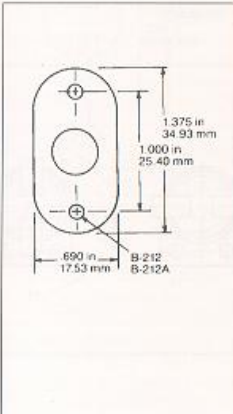
B-209



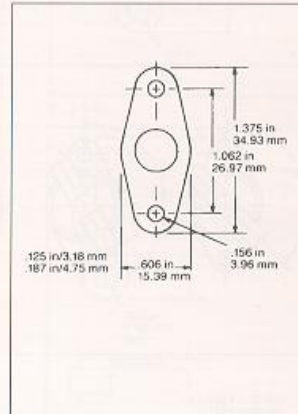
B-210



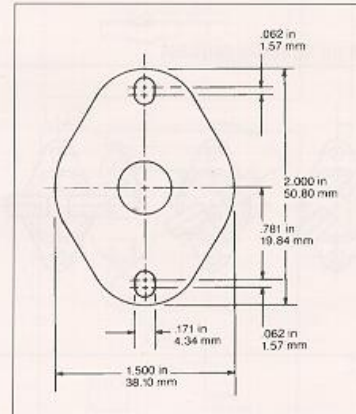
B-212/B-212A



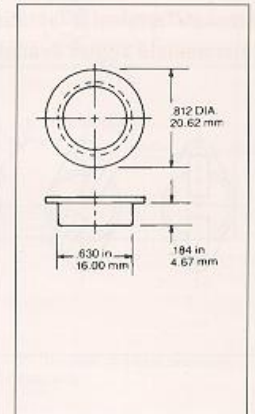
B-213



B-230

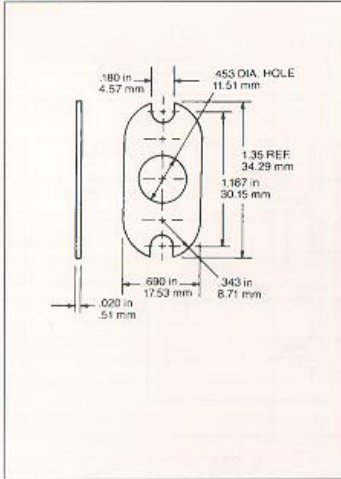


B-239

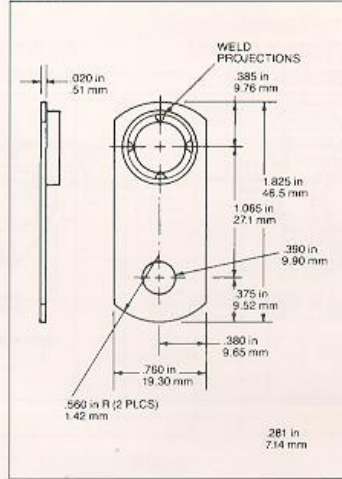


Svorky

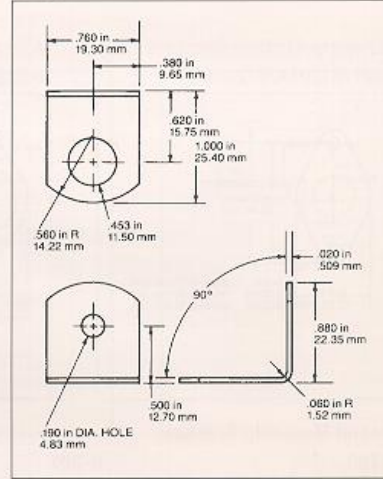
B-246



B-249



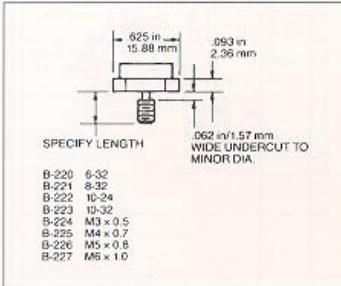
B-250



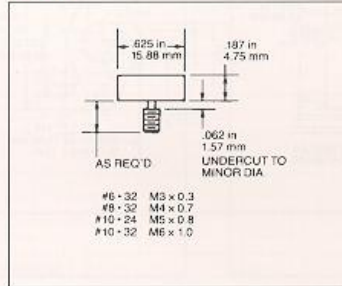
Mounting Studs

Brass Hex Stud Mount

B-220/B-227

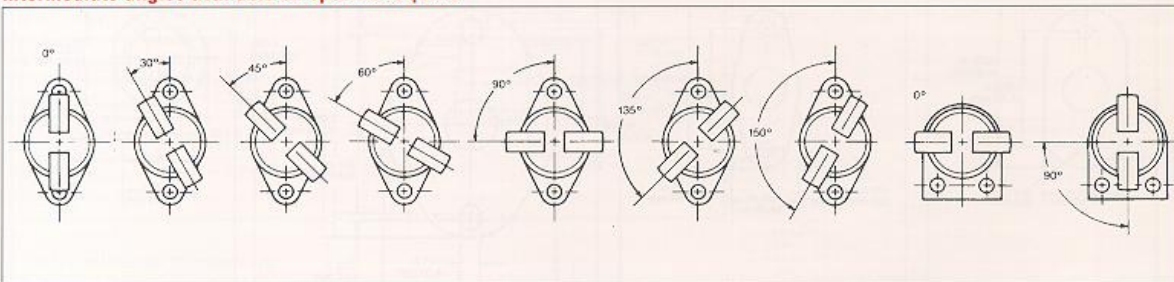


B-240

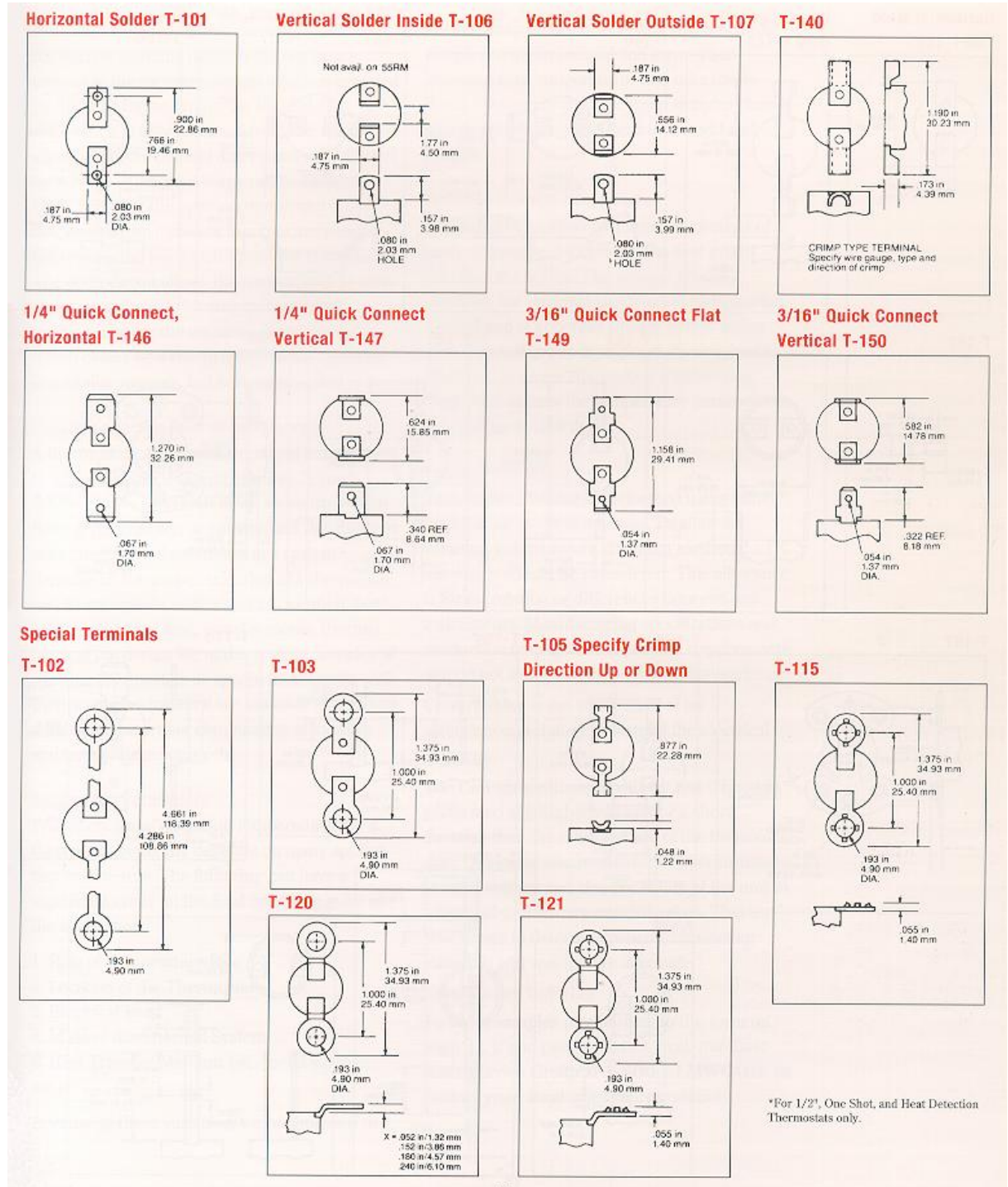


Bracket/Terminal Orientation

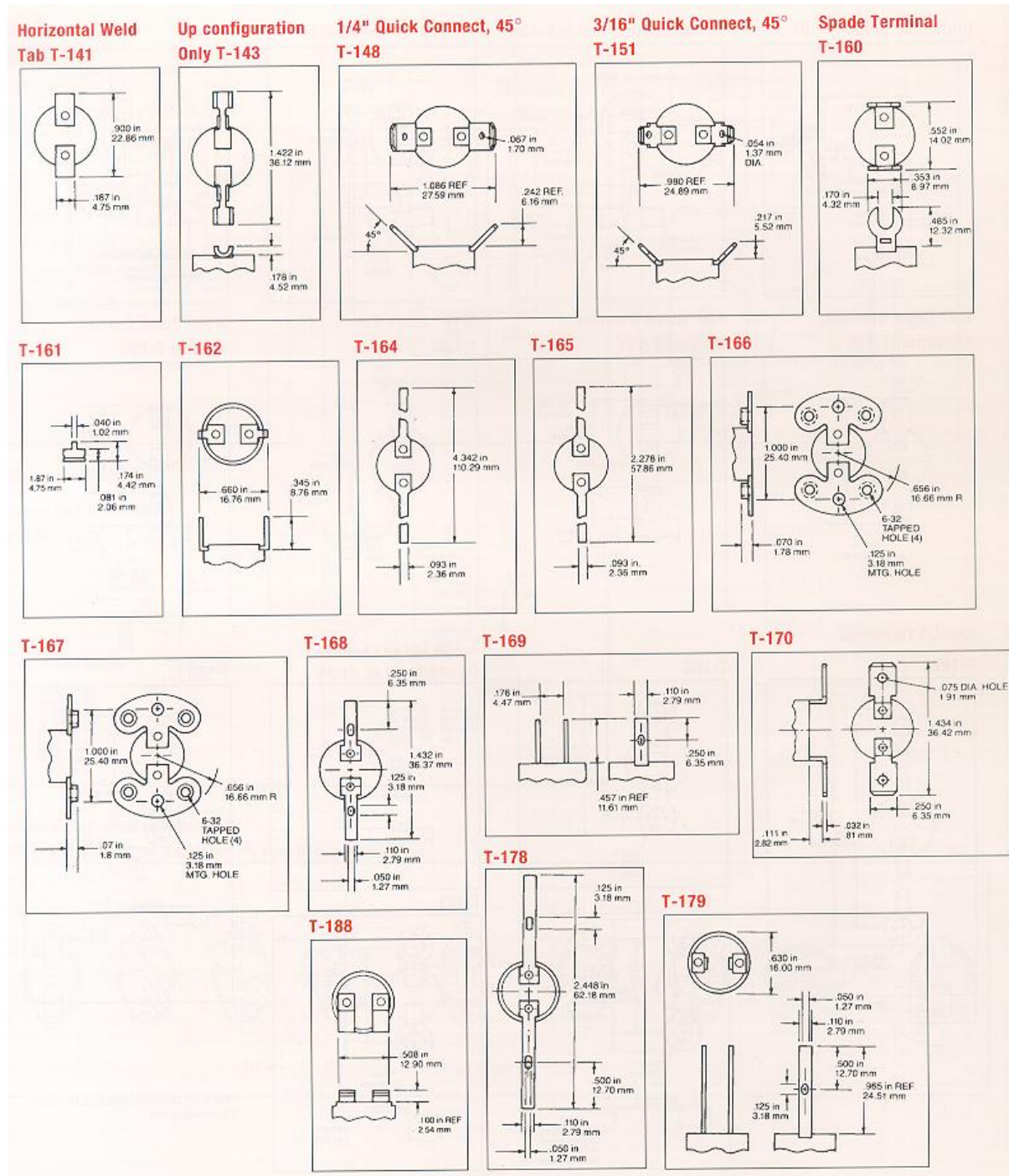
intermediate angles available on specific request



Svorky



Svorky



Ďalšie informácie o produktoch a konfiguráciách podľa požiadaviek zákazníka dostanete na telefónnom čísle: (02) 58247 400