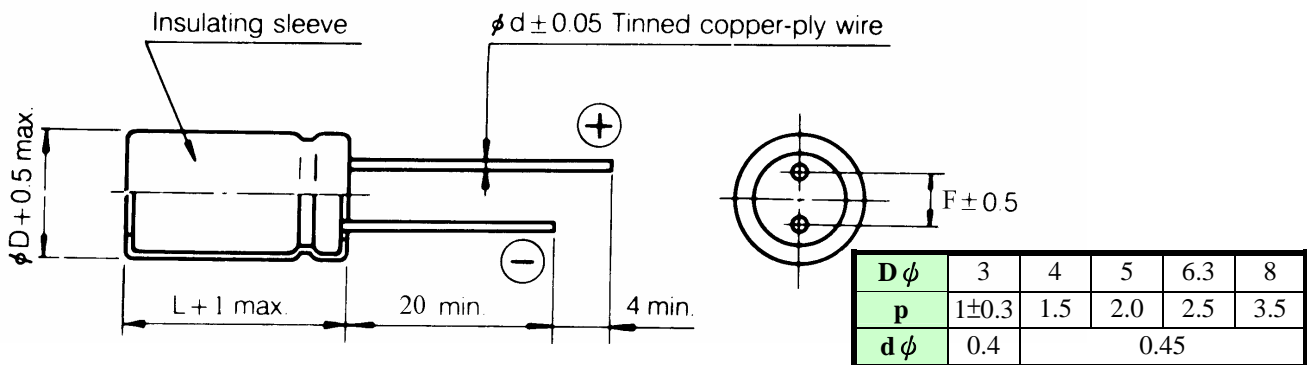


- Ultra miniature Radial Type 5mm Height
- Designed for use in VCRs, car radios, Car stereos.

### Characteristics

<b>Voltage Range</b>	4 ~ 50 V							
<b>Capacitance Range</b>	0.1 ~ 220uF							
<b>Temperature Range</b>	-40 ~ +105°C							
<b>Capacitance Tolerance</b>	±20% at 120Hz, 20°C (10% Tol. is available upon request)							
<b>Leakage Current</b>	I ≤ 0.01CV or 3uA, whichever is greater (After 2 minutes)							
<b>Dissipation Factor</b>	Rated Voltage (V)	4V	6.3V	10V	16V	25V	35V	50V
	Dissipation Factor (tan δ) max	0.35	0.24	0.20	0.16	0.14	0.12	0.10
(at 20°C, 120Hz)								
<b>Stability at Low Temperature</b>	Impedance ratio at 120Hz							
	Rated Voltage (V)	4V	6.3V	10V	16V	25V	35V	50V
	Z-25°C/Z 20°C	7	4	3	2	2	2	2
	Z-40°C/Z 20°C	15	8	6	4	4	3	3
<b>Load Life</b> (size 8x5mm is 85°C 1000hrs)	After the rated voltage has been applied for 1000 hours at 105°C	Capacitance change	Within ±20% of initial value					
		D.F. tanδ	200% or less of initial specified value					
		Leakage current	Less than Initial specified value					
<b>Shelf Life</b> (size 8x5mm is 85°C 500hrs)	After storage for 500 hours at 105°C, with no voltage applied and being stabilized at +20°C, Capacitor shall meet the limit specified in load life.							

### Diagram of dimensions



### Case Size of Standard Products & Maximum Ripple Current mA rms 105°C 120Hz

Cap. uF	4V		6.3V		10V		16V		25V		35V		50V	
	Size	R.C.	Size	R.C.	Size	R.C.	Size	R.C.	Size	R.C.	Size	R.C.	Size	R.C.
0.1											→	4x5*	1.0	
0.22											→	4x5*	2.0	
0.33											→	4x5*	2.8	
0.47											→	4x5*	4.0	
1											→	4x5*	8.0	
2.2											→	4x5*	10	
3.3											→	4x5	17	
4.7							→	4x5*	16	4x5	18	5x5	20	
10						→	4x5*	23	4x5	27	5x5	30	6.3x5	33
22					4x5	28	5x5	37	5x5	42	6.3x5	46	6.3x5	48
33		→	4x5	37	5x5	41	5x5	49	6.3x5	53	8x5	62		
47	4x5	34	5x5	45	5x5	45	6.3x5	58	6.3x5	60	8x5	80		
100	5x5	61				→	6.3x5	85	8x5	95				
220		→	6.3x5	90	8x5	95								

\* Also 3x5 is available, size 8x5 is 85°C only.