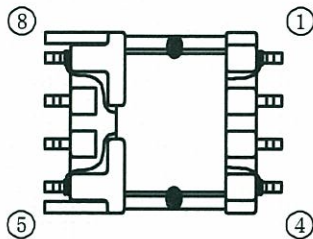
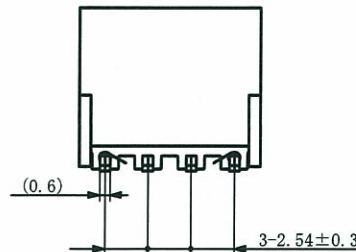
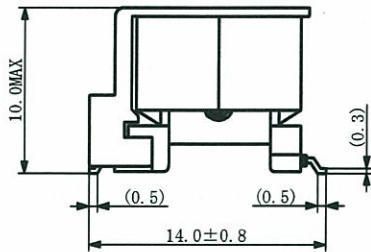
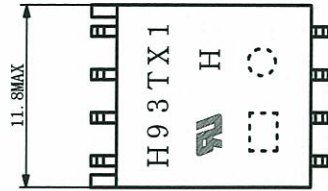
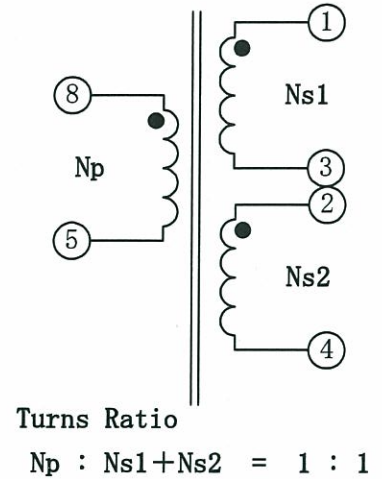


MECHANICAL DIMENSIONS



UNIT : mm

SCHEMATIC



UL File No. : E117865

Creepage distances : 5.2mm
(4.0mm—Insulation material group I)

Working Voltage $U_{rms} = 240V$

Overtoltage category : III

Pollution degree : II

Insulation material group : I, IIIb

ELECTRICAL SPECIFICATIONS

Parameter	Pins Under Test	Test Conditions	STD TOLERANCE
Breakdown Voltage	1 : 8	Vac 3600Vrms 2sec	
Inductance	8 - 5	10kHz 0.1V	$\geq 0.6mH$
Leakage Inductance	8 - 5 (1-3, 2-4 SHORT)	1MHz 0.1V	$\leq 1.0 \mu H$
Interwinding Capacitance	1 - 8 (2-3 SHORT)	10kHz 0.1V	$\leq 40pF$
DC Resistance	1 - 4 (2-3 SHORT)	T=25°C	0.32 Ω MAX
	8 - 5		0.40 Ω MAX