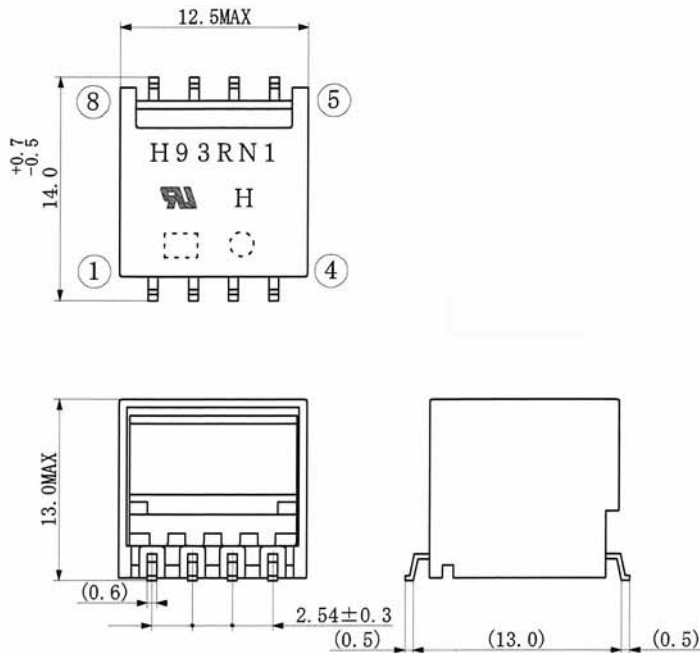
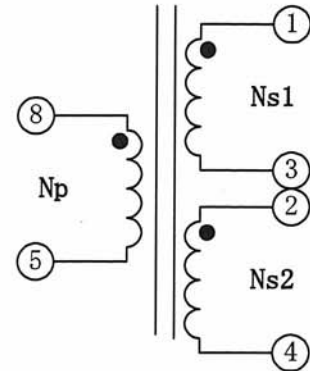


MECHANICAL DIMENSIONS



UNIT : mm

SCHEMATIC



Turns Ratio

$$N_p : N_{s1} + N_{s2} = 1 : 1$$

UL File No. : E117865

Creepage distances : 9.6mm

Working Voltage Urms = 480V

Overvoltage category : III

Pollution degree : II

Insulation material group : IIIb

ELECTRICAL SPECIFICATIONS

Parameter	Pins Under Test	Test Conditions	STD TOLERANCE
Breakdown Voltage	8 : 1, 2	Vac4.0kVrms 60sec (testing Vac4.8kVrms 2sec)	
Inductance	5 - 8	10kHz 0.1V	$\geq 600 \mu H$
Leakage Inductance	5 - 8 (4-2, 3-1Short)	1MHz 0.1V	$\leq 1 \mu H$
Interwinding Capacitance	5 - 4 (2-3Short)	100kHz 0.1V	$\leq 60pF$
DC Resistance	1 - 4 (2-3Short)	T=25°C	$\leq 0.32 \Omega$
	8 - 5		$\leq 0.45 \Omega$