



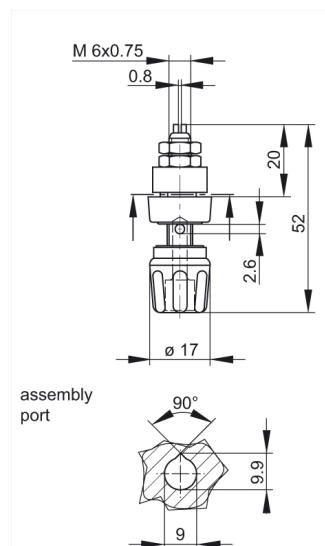
## PKNI 10 B rot/red

Industrial Connectors:Measuring and Testing Equipment:Sockets:4 mm system

### Product description

Description	Pole terminal with claw edge, captive insulated head and insulated ring. 6 mm diameter nickel-plated brass threaded bolt with 2.6 mm diameter transverse hole. For insulated non-rotating installation in equipment chassis and switch panels up to 3.5 mm wall thickness.
Type	PKNI 10 B rot/red
Order No.	930 136-101
System	4 mm system
Housing Color	red
Other standard types	black color, order no. 930 136-100

### Drawing



### Technical data

Type of contact	socket
Type of termination	M 6 thread
Rated voltage	DC 60 V
Rated current	63 A
Contact resistance	2 mOhm
Mounting	screw

### Material

Contact material	brass
Contact surface material	nickel-plated
Housing material	PF

### Environmental conditions

Temperature range	-25 °C to +100 °C
-------------------	-------------------

### Inflammability class

Housing	94 V-0
---------	--------