

Customer Information Sheet

DRAWING No.: S1911-46R

SHEET 2 OF 2

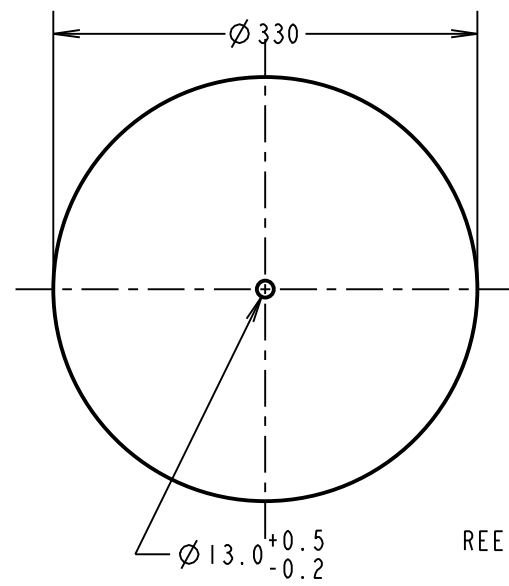
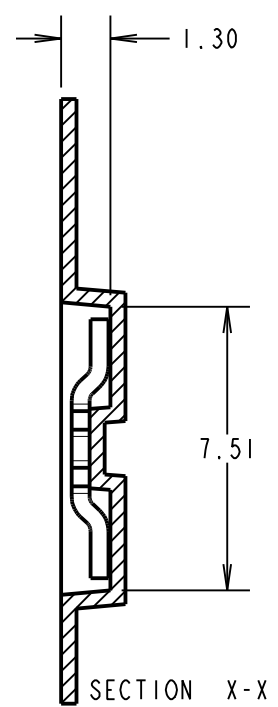
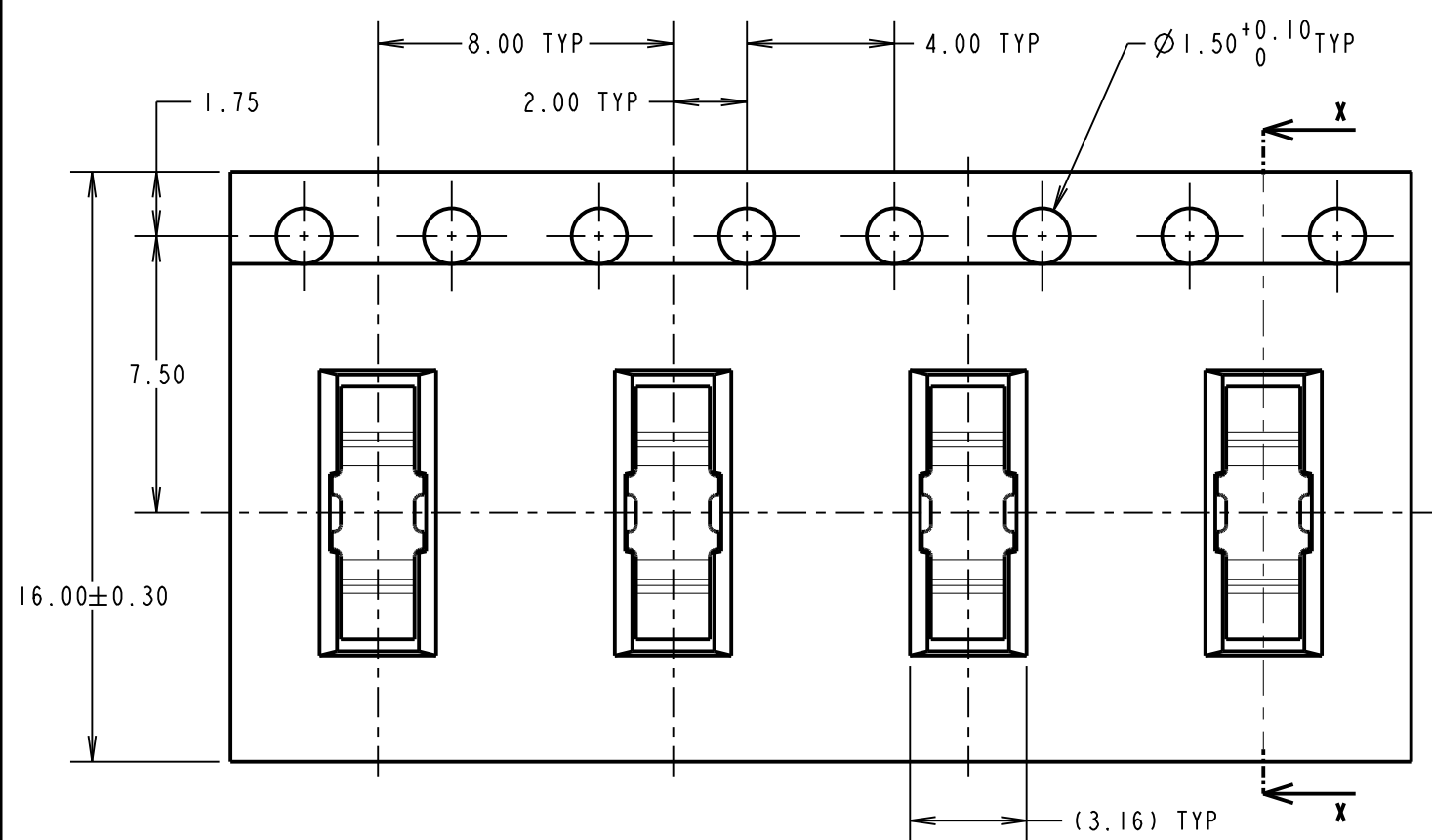
IF IN DOUBT - ASK

©

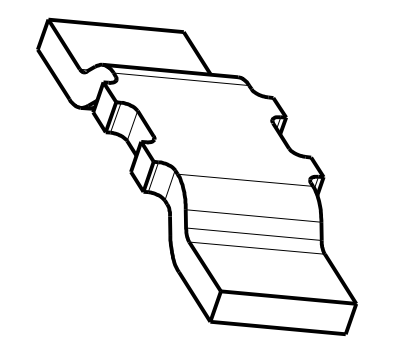
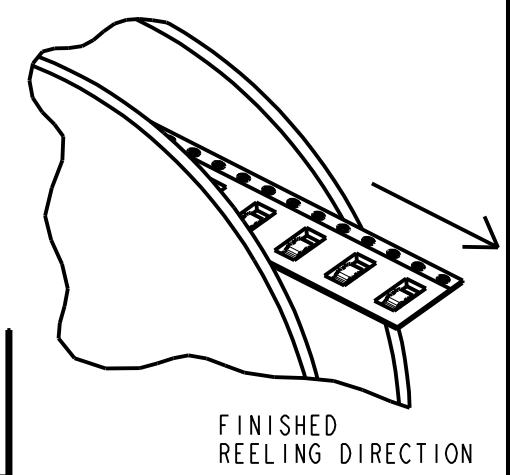
NOT TO SCALE

THIRD ANGLE PROJECTION

ALL DIMENSIONS IN mm

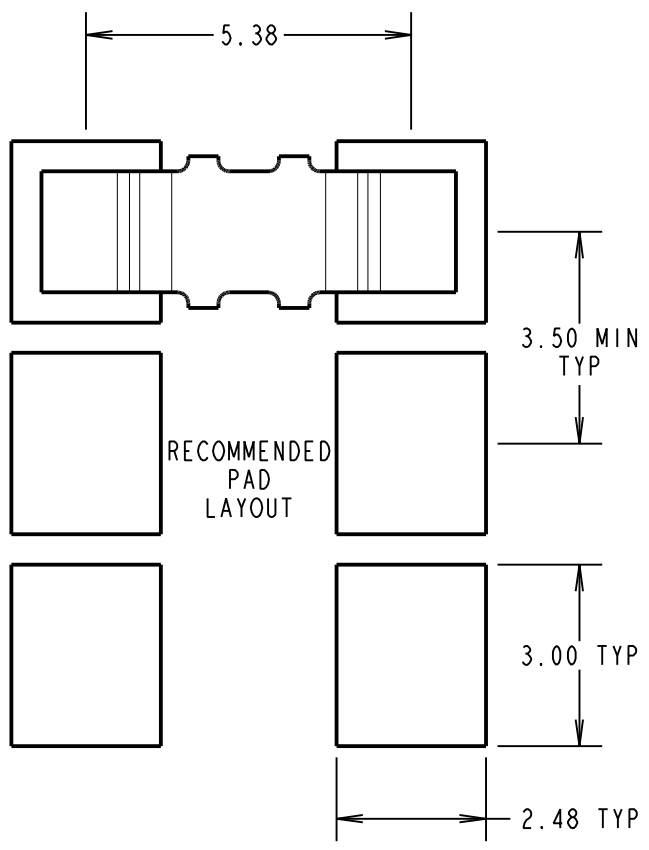


REEL DIMENSIONS

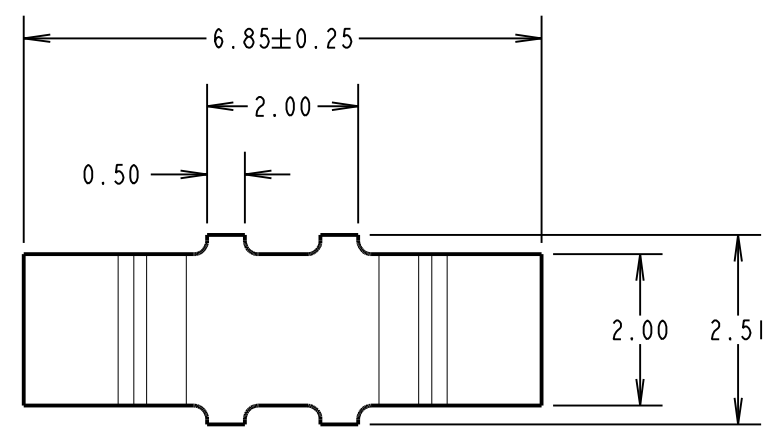


ISOMETRIC VIEW OF SINGLE COMPONENT

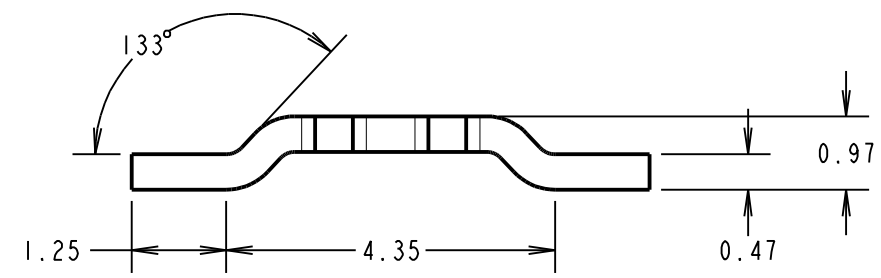
- NOTES:
 1. QUANTITY OF COMPONENTS PER REEL = 4,000.
 2. THIS PRODUCT IS TAPED AND REELED IN GENERAL ACCORDANCE WITH EIA-481 (ELECTRONIC INDUSTRIES ASSOCIATION).



COMPONENT SPECIFICATION:
 MATERIAL = BRASS CW508L
 H110 TO BS EN 1652
 COMPOSITION (IN ACCORDANCE WITH BS EN 1652)
 FINISH = 100% TIN OVER NICKEL
 ELECTRICAL:
 CURRENT RATING = 10A (30°C TEMP RISE)
 CONTACT RESISTANCE = 20mΩ MAX
 ENVIRONMENTAL:
 OPERATING TEMPERATURE = -40°C TO +125°C



SINGLE COMPONENT DIMENSIONS



| | | | |
|----------------|------|-----------|--------|
| MSP | 5 | 16.10.15 | 13113 |
| NAME | ISS. | DATE | C/NOTE |
| APPROVED: | | M.PERREN | |
| CHECKED: | | S.BENNETT | |
| DRAWN: | | S.BENNETT | |
| CUSTOMER REF.: | | | |
| ASSEMBLY DRG: | | | |

HARWIN
 www.harwin.com
 technical@harwin.com

THIS DRAWING AND ANY INFORMATION OR DESCRIPTIVE MATTER SET OUT HEREON ARE CONFIDENTIAL AND COPYRIGHT PROPERTY OF THE HARWIN GROUP AND MUST NOT BE DISCLOSED, LOANED, COPIED OR USED FOR MANUFACTURING, TENDERING OR FOR ANY OTHER PURPOSE WITHOUT THEIR WRITTEN PERMISSION.

TOLERANCES
 X. = ±1mm
 X.X = ±0.50mm
 X.XX = ±0.10mm
 X.XXX = ±0.01mm
 ANGLES = ±5°
 UNLESS STATED

MATERIAL: SEE ABOVE
 FINISH: SEE ABOVE
 S/AREA: SEE ABOVE mm²

TITLE: SMT JUMPER LINK (TAPE AND REELED)
 DRAWING NUMBER: S1911-46R
 SHT 2 OF 2