

5

4

3

2

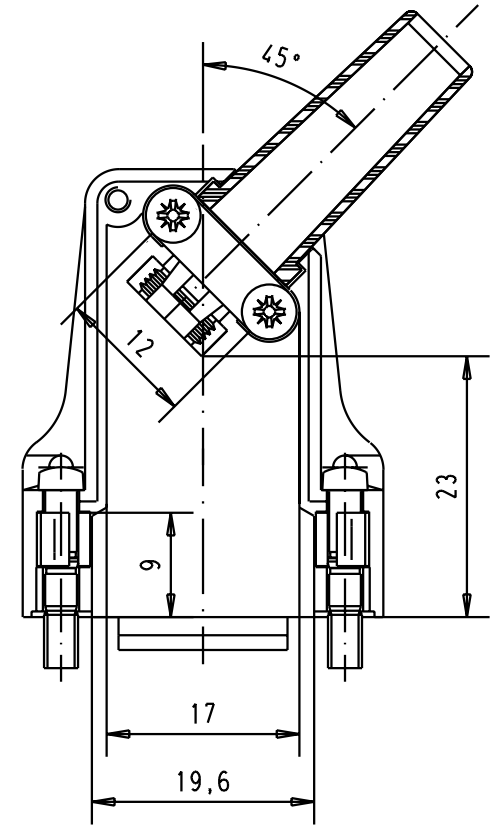
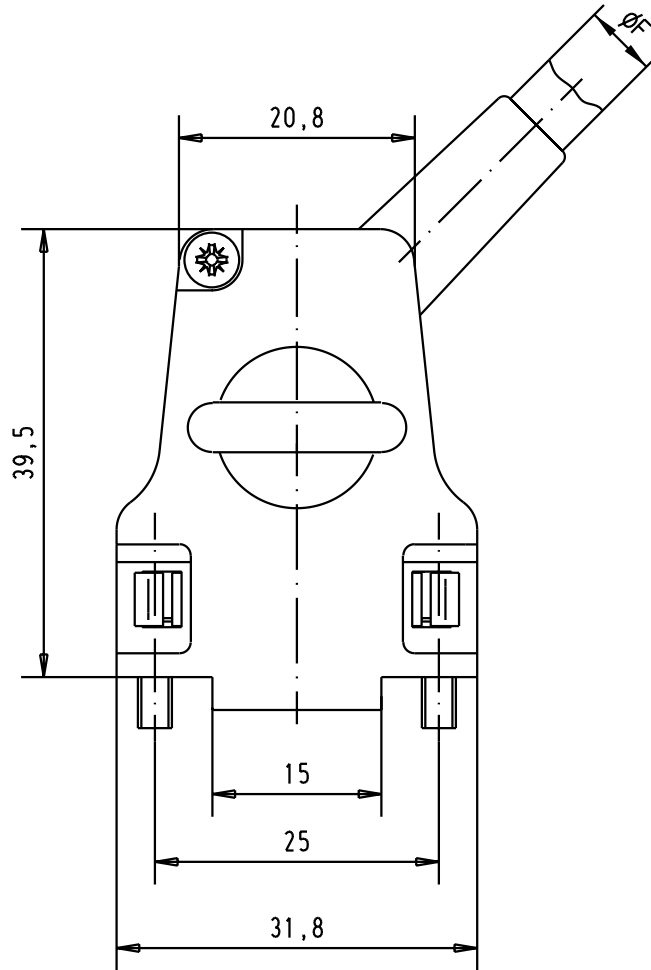
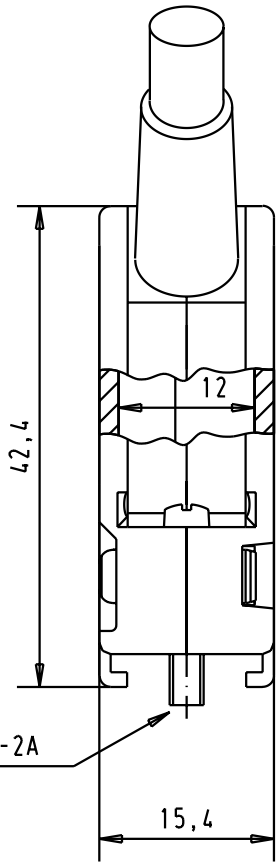
1

D

C

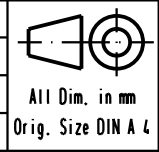
B

A



with rubber bushing:  $\varnothing F_{max}=6,5$   
 without rubber bushing:  $\varnothing F_{min}=3$   
 $\varnothing F_{max}=9,5$

	Dat.	Name
Detail.	15-APR-02	CV
Insp.		
Stand.		



D-Sub, Right angled metal hood  
 9 poles

Maßstab/  
 Scale  
 1.5:1

09 67 009 0334  
 Part number

Mod.	Dat.	Name
31069	30-JUL-02	CV
29769	15-APR-02	CV

HARTING EURL  
 F-95972 Paris



TB 09670090334

Blatt/ Page  
 1

Sub.