

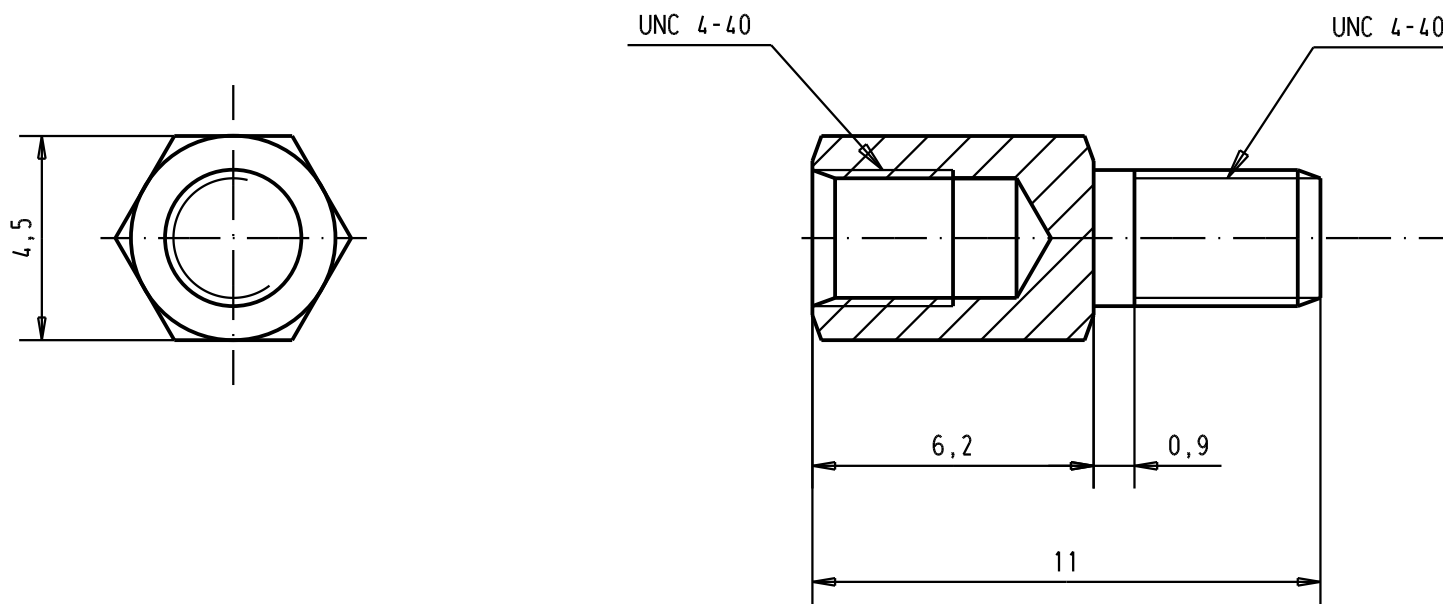
5 4 3 2 1



D

C

B

A



31910	27/05/04	JH		Dat.	Name	 <p>All Dim. in mm Orig. Size DIN A 4</p>	D-Sub, Female screw lock UNC 4-40 / UNC 4-40, tinned	Moßstab/ Scale
29760	28/03/02	CV	Detail.	27/05/04	JH			6:1
23231	28/07/98	PP	Insp.					
21221	18/07/97	MF	Stand.					
21212	16/04/97	MF	HARTING EURL F-95972 Paris				TB 09670009972	Blatt/ Page
19449	23/09/96	MF						1
Mod.	Dat.	Name						Sub.