

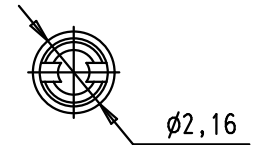
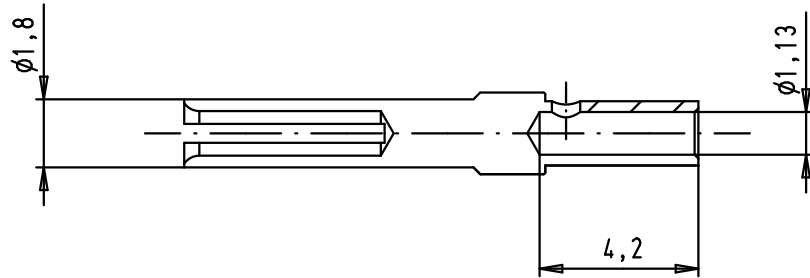
5

4

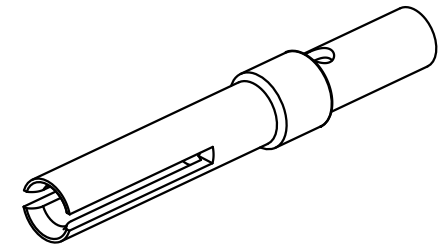
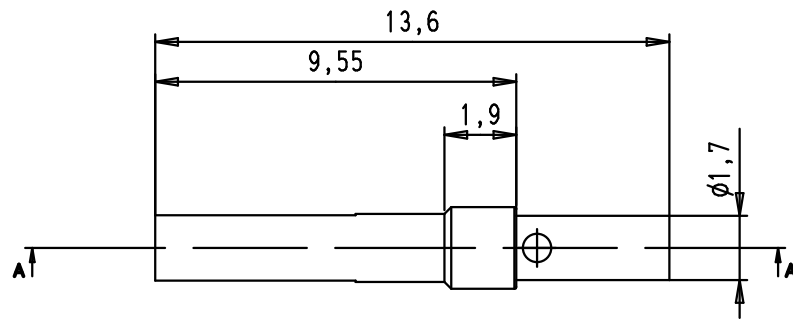
3

2

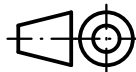
1



Crimping of AWG 20-24 : hand tool 09 99 000 0501
and locator 09 99 000 0531



A

						 All Dim. in mm Orig. Size DIN A 4		D-Sub female turned crimp contact	AWG 20-24	Maßstab/ Scale 5/1
5000	09 67 000 8476 580	PL1	EC04018	07/11/11	SD	Detail.	12apr2010	LP		
			EC01739	29apr2010	LP	Insp.	07/11/11	JB		
100	09 67 000 8476	PL1	EC01656	12apr2010	LP	Stand.				
Bulk packaging	Part number	Gold plating (over nickel)	Mod.	Dot.	Name	HARTING EURL F-95972 Paris			TB09 67 000 847x Sub.	Blatt/ Page 1 / 1