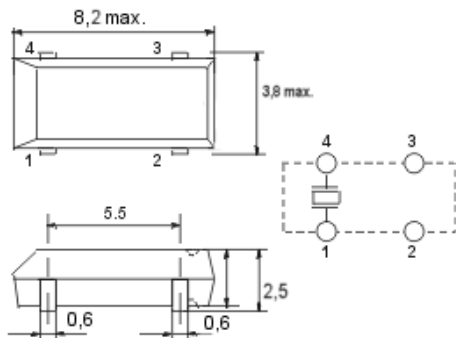


Quartz Crystal

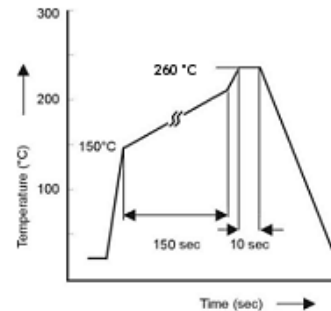
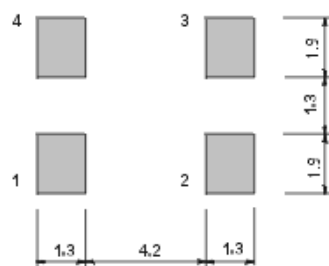
32,768 kHz

SMD-version

model	KX - 327S
frequency	32,768 kHz
operating temperature	standard -20° ~ +70°C available -40° ~ +85°C (= KX-327ST)
frequency tolerance at +25°C	± 30 ppm standard ± 20 ppm available
temperature tolerance at -20° ~ +70°C -40° ~ +85°C	-0,034 ± 0,006 ppm/°C ² typ., -0,042 ppm/°C ² max.
load capacitance C _L	12,5 pF
series resonance R ₁ max.	50k Ohm
aging (first year)	± 5 ppm
shunt capacitance C ₀ max.	2 pF
drive level in mW max.	0,001
RoHS	started from date code May, 2005
contents of reel	3000 pcs.
part no.	12.87110 ~ 12.87149



SUGGESTED SOLDERING PAD



soldering condition

