

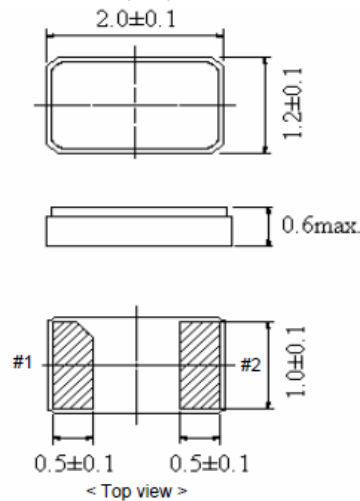
Quartz Crystal

32,768 kHz

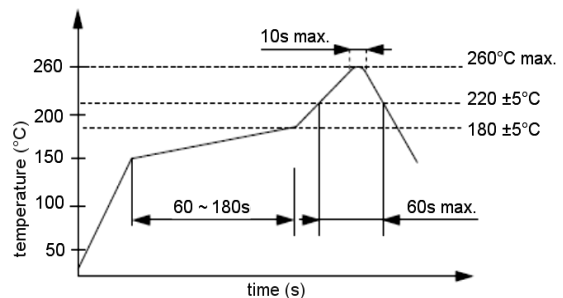
SMD-version

model	KX-327RT
frequency	32,768 kHz
operating temperature	-40° ~ +85°C
frequency tolerance (df/F) at +25°C ± 3°C	± 20 ppm (±0,002%)
temperature tolerance at -40° ~ +85°C	-0,03 ppm ± 0,01/°C ² typ.
storage temperature range	-55°C ~ +125°C
turnover temperature	+25°C ±5°C
load capacitance C _L	12,5 pF
motional capacitance(C ₁)	7,0 pF typ.
series resonance R ₁	60k Ohm typ., 90k Ohm max.
aging (df/F) (first year) at 25°C ± 3°C	± 5 ppm
shunt capacitance C ₀	1,3 pF typ.
drive level in μW max.	0,5 μW typ.
RoHS	according to RoHS 2011/65/EU
contents of reel	3000 pcs.
part no.	12.87160

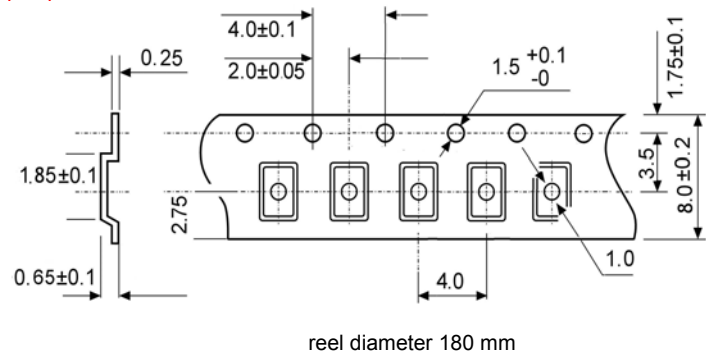
Dimensions (mm):



Reflow soldering condition:



Tape specification:



Suggested soldering pad:

