

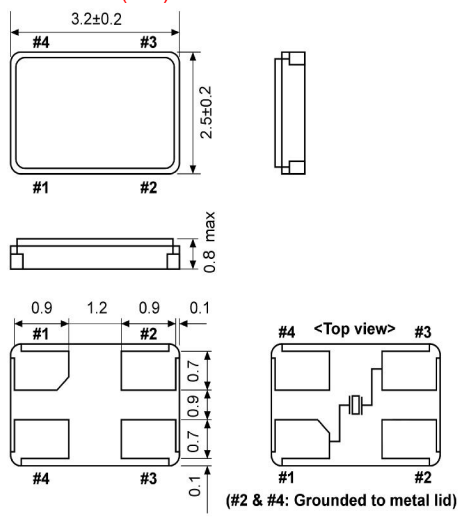


Quartz Crystal

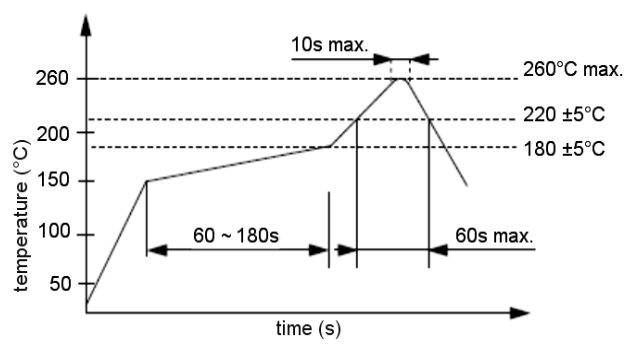
SMD-version

part no.	12.88767
model	KX - 7
frequency	26.0 MHz
mode	fundamental
operating temperature	-20° ~ +75°C
frequency tolerance at +25°C	±10 ppm
temperature tolerance -20° ~ +75°C	±10 ppm
load capacitance C_L	10 pF
series resistance R1 max.	50 Ohm
aging at 25°C (first year) max.	±2 ppm
shunt capacitance C_O max.	3.5 pF
drive level max.	200 µW
contents of reel	1000 pcs.
part no.	12.88767

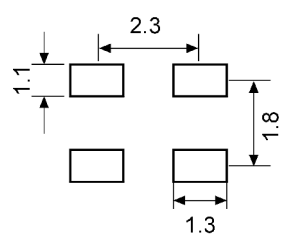
Dimensions (mm):



Reflow soldering condition:



Suggested soldering pad:



Tape specification:

