

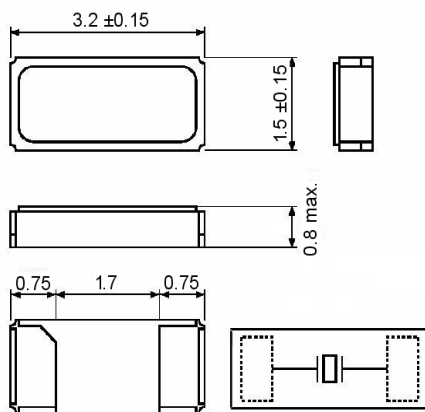


Quartz Crystal

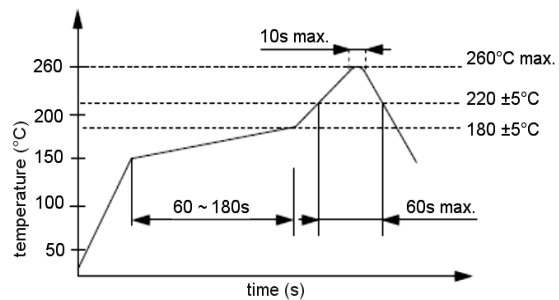
SMD-version

model	KX-327NHT
frequency	32,768 kHz
operating temperature	-40° ~ +85°C
frequency tolerance at +25°C	± 10 ppm
temperature tolerance (parabolic coefficient) at -40° ~ +85°C	-0,035 ppm/°C ² typ.
turnover temperature	+25°C ± 5°C
storage temperature range	-55°C ~ +125°C
load capacitance C _L	7 pf
motional capacitance (C1)	0,0036 pF, typ.
series resonance R ₁ max.	60k Ohm
aging at +25°C (first year) max.	± 3 ppm max.
shunt capacitance C _O	1,3 pF (1,0 pF typ.)
drive level in μW max.	1,0 μW max., 0,1μW typ
quality factor (Q)	20000 min.
contents of reel	3000 pcs.
part no.	12.87147

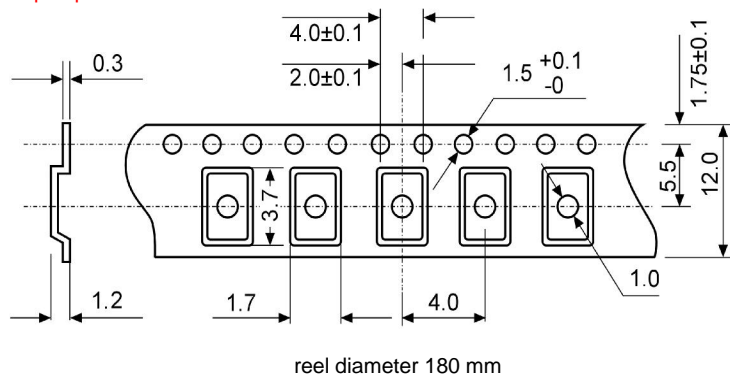
Dimensions (mm):



Reflow soldering condition:



Tape specification:



Suggested soldering pad:

