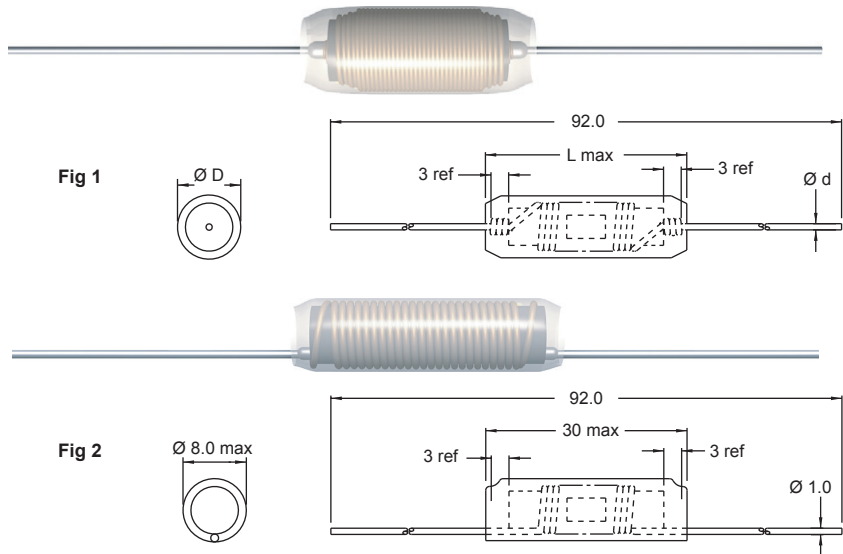
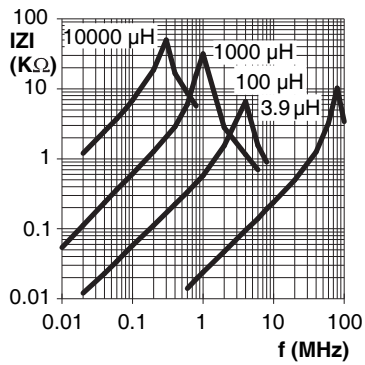


77A



Typical IZI vs Frequency(f)



Material : Ferrite

SPQ :

Loose / Box	Reel
300 [-00]	500 [-01]

Remark : - Available also without insulating material (77A/B)
 - Fig 2 available only in loose packing [-00]

Part No	Inductance L (µH)	f _L (kHz)	Tol ± (%)	DCR max (Ω)	Rated DC Current (A)	Dimension (mm)			Fig
						D max	L max	d	
77A-3R9M-YY	3.9	1000	20	0.011	12	8	30	1	2
77A-5R6M-YY	5.6	1000	20	0.021	8	8	26	0.8	1
77A-100M-YY	10	1000	20	0.042	5	8	26	0.8	1
77A-150M-YY	15	100	20	0.06	4	9	26	0.8	1
77A-330M-YY	33	100	20	0.084	3.5	10	26	0.8	1
77A-400M-YY	40	100	20	0.084	3	11	26	0.8	1
77A-680M-YY	68	100	20	0.12	3	11	26	0.8	1
77A-800M-YY	80	100	20	0.15	2.5	11	26	0.8	1
77A-101M-YY	100	100	20	0.18	2.5	11	26	0.8	1
77A-121M-YY	120	100	20	0.36	2	11	26	0.8	1
77A-151M-YY	150	100	20	0.36	1.8	11	26	0.8	1
77A-331M-YY	330	100	20	0.6	1.4	11	26	0.8	1
77A-471M-YY	470	100	20	1.2	1	11	26	0.8	1
77A-501M-YY	500	100	20	0.84	1.2	11	26	0.8	1
77A-681M-YY	680	100	20	1.2	1	11	26	0.8	1
77A-821M-YY	820	100	20	1.2	0.95	11	26	0.8	1
77A-102M-YY	1000	100	20	1.8	0.8	11	26	0.8	1
77A-152M-YY	1500	10	20	2.4	0.7	11	26	0.8	1
77A-332M-YY	3300	10	20	4.8	0.5	11	26	0.8	1
77A-562M-YY	5600	10	20	9.6	0.36	11	26	0.8	1
77A-682M-YY	6800	10	20	9.6	0.35	11	26	0.8	1
77A-103M-YY	10000	10	20	14.4	0.3	11	26	0.8	1

All dimensions in mm

Suppression Coils