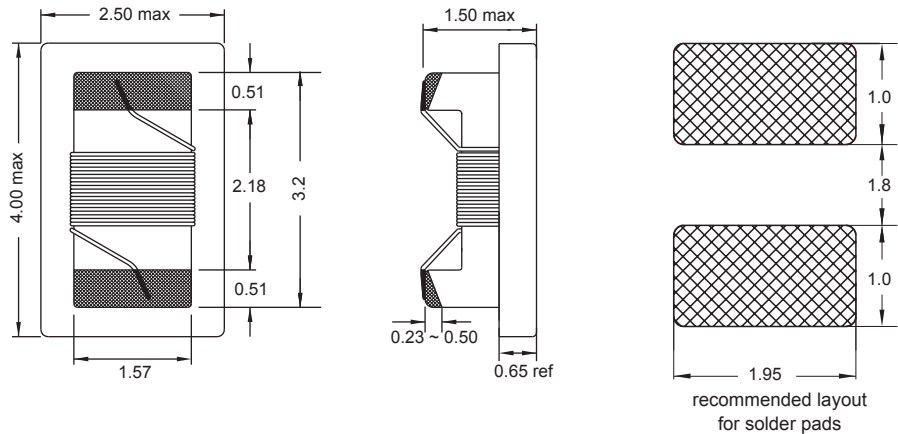
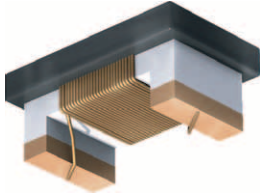


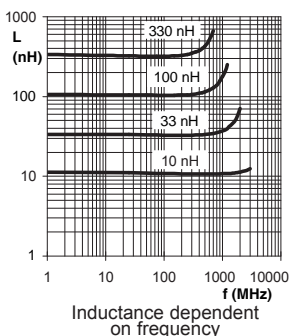
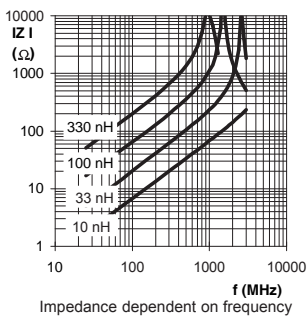
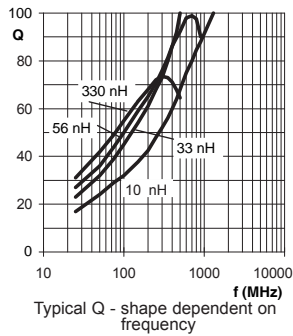
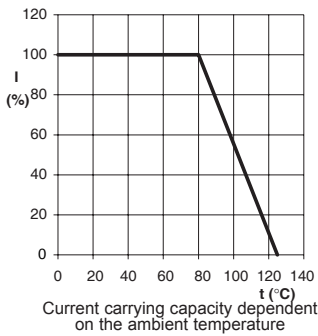
1206 AS

Engineer's Kit : EK-1206AS-X



Chip Inductors (wire wound - open)

All dimensions in mm



Part No	Inductance L (nH)	f _L (MHz)	ToI ± (%)	Q min	f _Q (MHz)	SRF min (MHz)	DCR max (Ω)	Rated DC Current max (mA)
1206AS-3N3X-01	3.3	100	5,10	30	300	6000	0.05	1000
1206AS-6N8X-01	6.8	100	5,10	37	300	5500	0.07	1000
1206AS-010X-01	10	100	5,10	40	300	4000	0.08	1000
1206AS-012X-01	12	100	5,10	51	300	3200	0.08	1000
1206AS-015X-01	15	100	5,10	51	300	3200	0.1	1000
1206AS-018X-01	18	100	5,10	51	300	2800	0.1	1000
1206AS-022X-01	22	100	5,10	52	300	2200	0.1	1000
1206AS-027X-01	27	100	5,10	52	300	1800	0.11	1000
1206AS-033X-01	33	100	5,10	56	300	1800	0.11	1000
1206AS-039X-01	39	100	5,10	64	300	1800	0.12	1000
1206AS-047X-01	47	100	5,10	64	300	1500	0.13	1000
1206AS-056X-01	56	100	5,10	64	300	1450	0.14	1000
1206AS-068X-01	68	100	5,10	61	300	1200	0.26	900
1206AS-082X-01	82	100	2,5,10	66	300	1200	0.21	900
1206AS-R10X-01	100	100	2,5,10	55	300	1100	0.26	850
1206AS-R12X-01	120	100	2,5,10	75	300	1100	0.26	800
1206AS-R15X-01	150	100	2,5,10	65	300	950	0.31	750
1206AS-R18X-01	180	50	2,5,10	75	300	900	0.43	700
1206AS-R22X-01	220	50	2,5,10	75	300	760	0.5	670
1206AS-R27X-01	270	50	2,5,10	57	300	730	0.56	630
1206AS-R33X-01	330	50	5,10	55	150	650	0.62	590
1206AS-R39X-01	390	50	5,10	55	150	600	0.75	530
1206AS-R47X-01	470	50	5,10	52	150	550	1.3	490
1206AS-R56X-01	560	50	5,10	45	150	470	1.34	460
1206AS-R68X-01	680	35	5,10	45	150	450	1.58	430
1206AS-R82X-01	820	35	5,10	45	150	420	1.82	400
1206AS-1R0X-01	1000	35	5,10	45	150	400	2.8	320
1206AS-1R2X-01	1200	35	5,10	45	150	380	3.2	300
1206AS-2R2X-01	2200	35	5,10	32	150	160	4.5	280
1206AS-3R3X-01	3300	35	5,10	20	50	140	6.5	130
1206AS-4R7X-01	4700	35	5,10	20	50	120	7.2	120

Material : Ceramic

SPQ : Reel 2000 [-01]

Remark: For not listed inductance values please check availability with us.