



Rated inductance 10..1000 μ H

Construction

- Ferrite core
- Magnetically shielded
- Winding: enamel copper wire
- Winding soldered to terminals
- Plastic terminal carrier

Features

- Very high rated current
- Low DC resistance
- Suitable for reflow soldering (IR and vapor phase)

Applications

- Filtering of supply voltages
- Coupling / decoupling
- DC/DC converters
- Automotive electronics
- Telecommunications

Terminals

- Tinned

Marking

Marking on component:
Manufacturer, L value (in μ H), date code

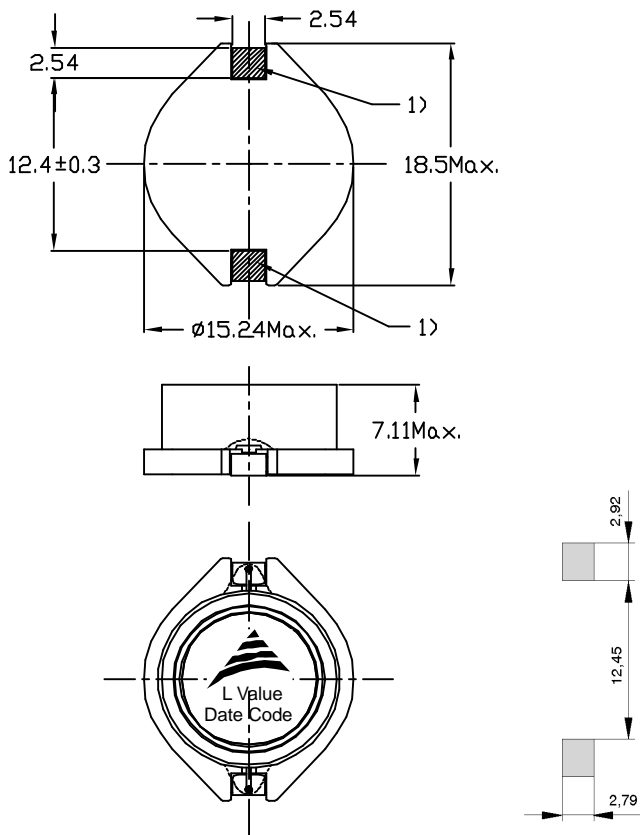
Minimum marking on reel:
Manufacturer, part number, ordering code,
L value and tolerance
quantity, date of packing

Delivery mode

32-mm blister tape , reel packing
packaging quantity 250pcs/reel


General technical data

Rated inductance L_R	Measured with HP 4284A , measuring voltage 100 mV
Rated current I_R	Maximum permissible DC with temperature increase of ≤ 40 K at ambient temperature of 85 °C
Saturation current $I_{sat,typ}$	Maximum permissible DC with inductance decrease $\Delta L/L_0 \approx 10\%$
Climatic category	In accordance with IEC 60068-1 40/125/56 (-40 °C/ +125 °C/ 56 days damp heat test)
Solderability	5s, 235°C, wetting > 90%
DC resistance R_{max}	Measured at 20 °C ambient temperature
Weight	Approx. 3g

Dimensional drawing and layout recommendation



Characteristics and ordering codes

L_R μH	f_L MHz	Tolerance	I_R A	$I_{\text{sat, typ}}$ A	R_{max} Ω	Ordering code
10	0,1	20 %	3,9	8,0	0,040	B82479-G1103-M
15	0,1	20 %	3,4	7,0	0,048	B82479-G1153-M
22	0,1	20 %	3,1	6,0	0,059	B82479-G1223-M
33	0,1	20 %	2,8	5,0	0,075	B82479-G1333-M
47	0,1	20 %	2,4	4,0	0,097	B82479-G1473-M
68	0,1	20 %	2,0	3,0	0,138	B82479-G1683-M
100	0,1	20 %	1,7	2,4	0,207	B82479-G1104-M
150	0,1	20 %	1,3	2,1	0,293	B82479-G1154-M
220	0,1	20 %	1,1	1,9	0,47	B82479-G1224-M
330	0,1	20 %	0,86	1,2	0,78	B82479-G1334-M
470	0,1	20 %	0,73	1,1	1,08	B82479-G1474-M
680	0,1	20 %	0,64	0,96	1,40	B82479-G1684-M
1000	0,1	20 %	0,53	0,80	2,01	B82479-G1105-M