

Construction

- Building-block system
- MKP technology (dry, self-healing)
Dielectric: polypropylene, metallized
- Metal case with synthetic resin terminals
- For central screw fixing

Features

- Compact dimensions
- Variable current rating and capacitance through building-block system
- High attenuation
- Simple fitting
- High contact reliability through central screw fixing



Applications

Broadband interference suppression for AC/DC supply lines, e.g. in

- shielded rooms
- telephone exchanges, base stations
- electrical machines and systems
- power supplies

Terminals

- Threaded studs
- Axial leads

Marking

Manufacturer, ordering code, rated capacitance, rated voltage, rated current, test voltage, climatic category, circuit diagram, date of manufacture (MM.YY), approvals

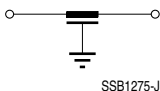
Standards

Feedthrough capacitors comply with EN 132400

Safety information

Due to the high capacitance ratings protective measures (e.g. protective earthing) in accordance with equipment/system regulations are required.

Circuit diagram



Feedthrough capacitors ∅ 16 mm
Characteristics and ordering codes

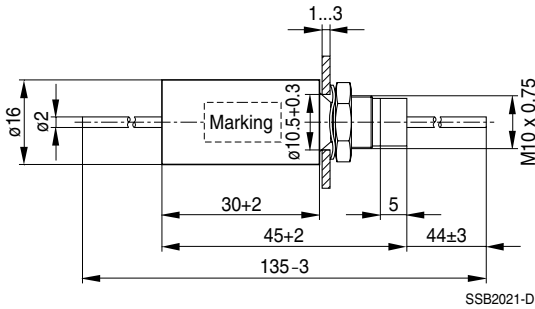
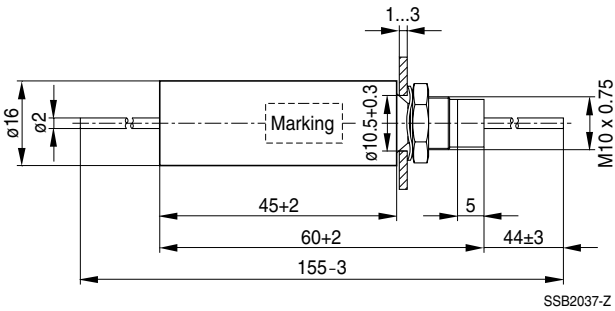
I_R A	C_R μF	V_R VAC	VDC	V_{test} VDC	Terminal	Figure	Ordering code
16	0.00125	250	600	4000	leads, ∅ 2 mm	1	B85121A2122C160
	0.0025	440	600	4350			B85121A4252C160
	0.005	250	600	4000			B85121A2502C160
	0.010	250	600	1750			B85121A2103C160
	0.025	250	600	1750			B85121A2253C160
	0.05	250	600	1750			B85121A2503C160
	0.1	110	160	800			B85121A1104C160
	1.0	75	160	350			leads, ∅ 2 mm

Insertion loss (dB); typical values at 50 Ω

Rated capacitance C_R	10 kHz	100 kHz	1 MHz	10 MHz	100 MHz	> 300 MHz
0.00125	–	–	–	6	35	> 40
0.005	–	–	2	16	40	> 50
0.025	–	–	11	30	55	> 80
0.05	–	1	17	35	52	> 80
0.1	–	4	20	40	60	> 80
1.0	5	25	45	50	85	> 90

General technical data

Capacitance tolerance: $\pm 20\%$
 IEC climatic category: 40/085/56 (–40 °C/+85 °C, 56 days damp heat test)
 Screw cap fixing: Standard M10 \times 0.75

Dimensional drawing
Figure 1, B85121A**C160**

Figure 2, B85121A**B160**


Symbols and terms

Symbol	English	German
I_R	Rated current	Bemessungsstrom
C_R	Rated capacitance	Bemessungskapazität
V_R	Rated voltage	Bemessungsspannung
V_{test}	Test voltage	Prüfspannung

Published by EPCOS AG
Corporate Communications, P.O. Box 80 17 09, 81617 Munich, GERMANY
☎ ++49 89 636 09, FAX (0 89) 636-2 26 89

© EPCOS AG 2003. Reproduction, publication and dissemination of this brochure and the information contained therein without EPCOS' prior express consent is prohibited.

Purchase orders are subject to the General Conditions for the Supply of Products and Services of the Electrical and Electronics Industry recommended by the ZVEI (German Electrical and Electronic Manufacturers' Association), unless otherwise agreed.

This brochure replaces the previous edition.

For questions on technology, prices and delivery please contact the Sales Offices of EPCOS AG or the international Representatives.

Due to technical requirements components may contain dangerous substances. For information on the type in question please also contact one of our Sales Offices.