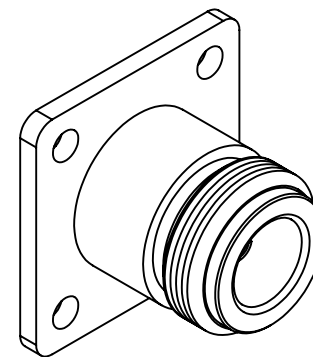
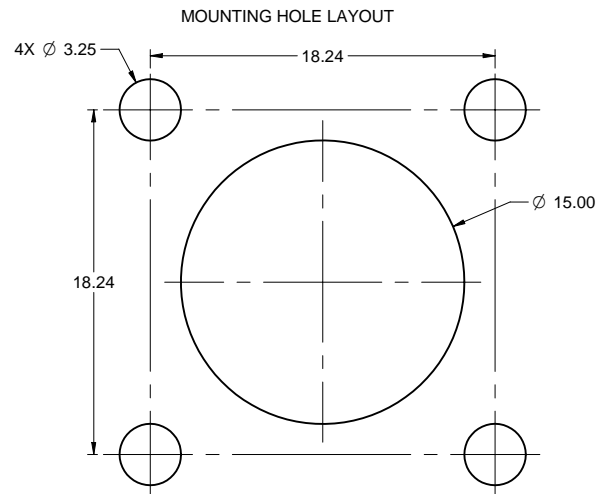
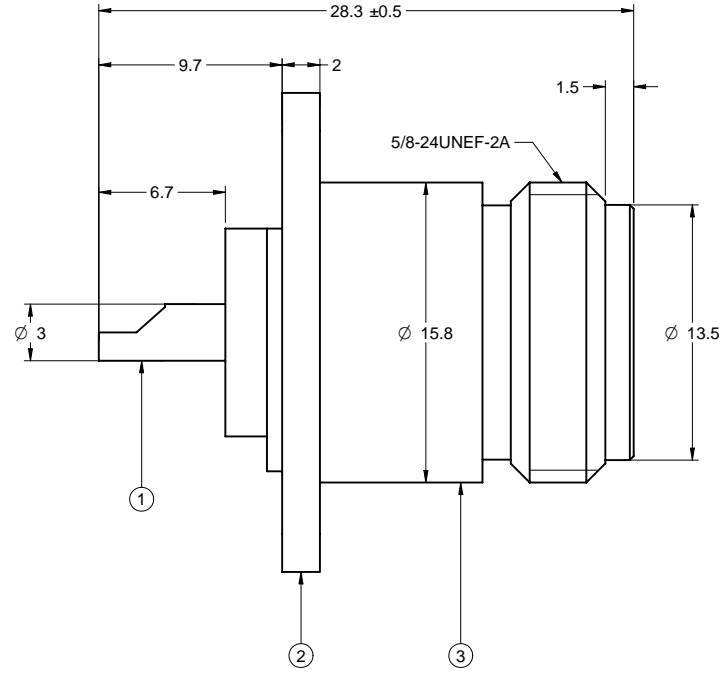
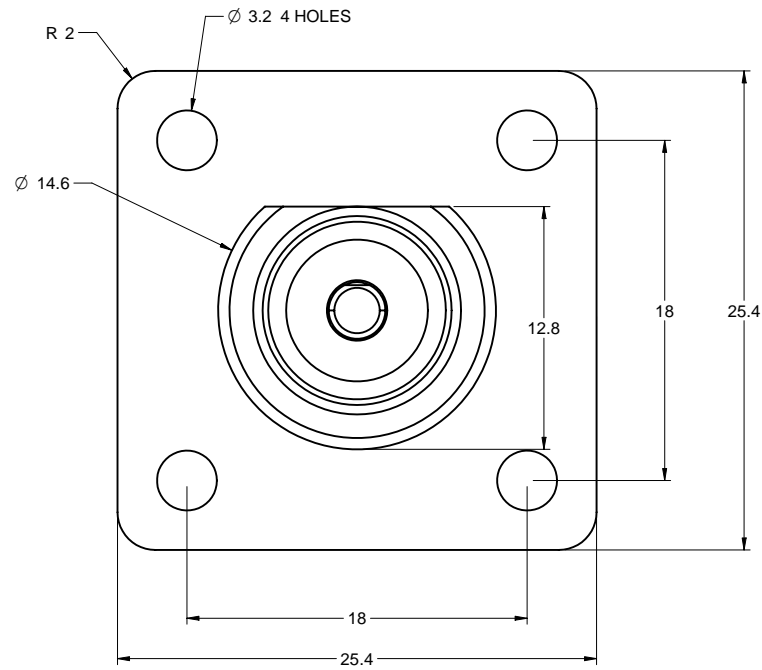


	5		4		3		2		1
PART NUMBER	ITEM ① CONTACT	ITEM ② BODY	ITEM ③ BODY						
26-8011	BERYLLIUM NICKEL PLATED	BRASS NICKEL PLATED	BRASS NICKEL PLATED						

DRAWING NO.
26-8011

REVISIONS						
RELEASE FOR QUATION						
A	04-09-06	W	W	T		
ADD NOTES 4&5						
B	12-18-06	L	Y	T		



NOTES:

- ELECTRICAL SPECIFICATIONS
 IMPEDANCE: 50 OHMS NOMINAL
 FREQUENCY RANGE: 0-4 GHz
 WORKING VOLTAGE: 500 Vrms MAX AT SEA LEVEL
 DIELECTRIC WITHSTANDING VOLTAGE: 1500 vrms AT SEA LEVEL
 CORONA LEVEL: 375 VOLTS MINIMUM AT 70,000 FEET
 CONTACT RESISTANCE: OUTER-0.2 MILLIOHMS MAXIMUM
 CENTER-2.1 MILLIOHMS MAXIMUM
 INSULATION RESISTANCE: 5000 MEGOHMS MINIMUM
- MECHANICAL SPECIFICATIONS
 DURABILITY: 500 CYCLES MIN
 FORCE TO ENGAGE/DISENGAGE: 3 LBS MAX
- ENVIRONMENTAL SPECIFICATIONS
 RECOMMENDED TEMPERATURE RANGE: -55 °C TO +85 °C
 MOISTURE RESISTANCE: MIL-STD-202
- PRODUCT SHOULD BE RoHS COMPLIANCE.
- PACKAGING REQUIREMENT FOLLOWS ENGINEERING DOCUMNET P/N 836-40200001XX.

THIS DRAWING TO BE INTERPRETED PER ANSI Y 14.5M - 1994

COMPANY CONFIDENTIAL

TOLERANCE UNLESS OTHERWISE SPECIFIED	DRAWN BY LINDA.WU	DATE 12-18-06
DECIMALS X ± 0.5	CHECKED BY BETTY.YU	DATE 12-18-06
X.X ± 0.2	APPROVED BY THOMAS	DATE 12-18-06
X.XX ± 0.1	U/M	mm
ANGLES ± 0.5°		

		Connectivity Solutions
TITLE N FLANGE MT JACK RECEPTACLE, 50 OHM MACHINED		

THIS DRAWING WAS PRODUCED BY COMPUTER. DO NOT SCALE DRAWING OR UPDATE MANUALLY.		
SHEET 1 OF 1	DRAWING NO. 26-8011	SIZE C