

# ER14250M Lithium Thionyl Chloride Battery

## Brief Datasheet

### 1 Basic Specification

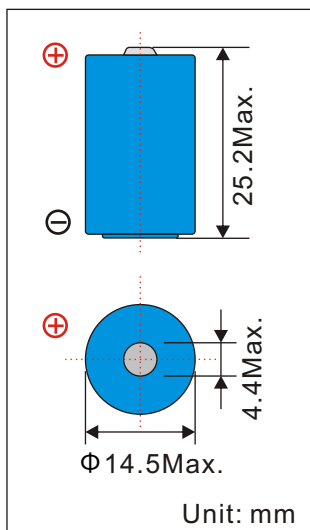
(Typical values relative to cells stored for one year or less at +30°C max.)

Nominal capacity ( at 4mA +23°C, 2.0V cut off )	750mAh
Nominal voltage	3.6V
Standard discharge current	4mA
Maximum continuous current	120mA
Maximum pulse current	250mA
Operating temperature range	-55°C- +85°C
Storage temperature (recommended )	+30°C Max
Weight	10g

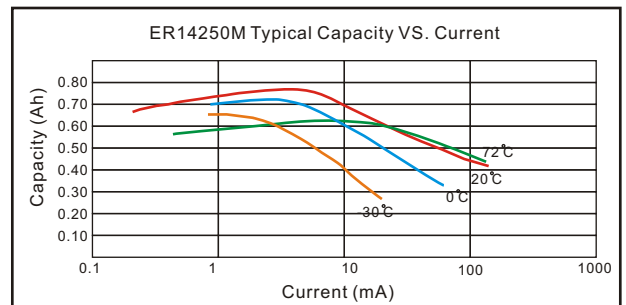
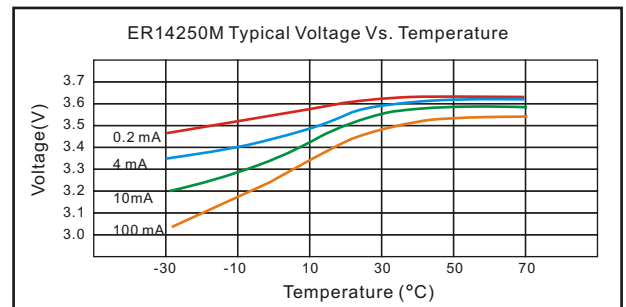
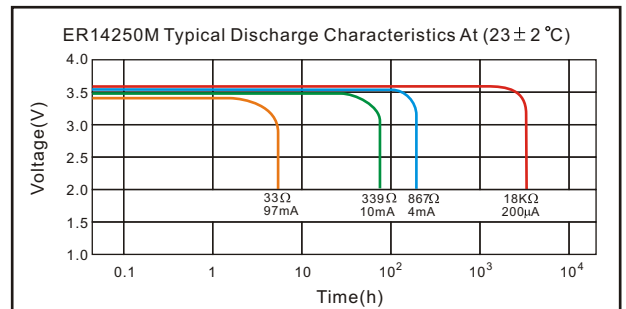
\*High power type is spiral structure and best suit for high current discharge.

\*Underwriters Laboratories (UL) Component Recognition (File Number MH 20555).

### 2 Dimension



### 3 Electrical Characteristics



# Hi-POWER TYPE

Note: Any representations in this brochure concerning performance, are for informational purposes only and are not construed as warranties either expressed or implied, of future performance.