

## Battery holder for coin-type Lithium Battery

### BH1001(ForCR/LIR2477,2450,2430)

- \*The battery is solidly anchored in the holder
- \*Battery can be charged very easily and you are assured of reliable firm contact
- \*There is no battery damage from short circuiting or soldering.
- \*BH1001 battery holder for CR and LIR series 2430 to 2450,2477.

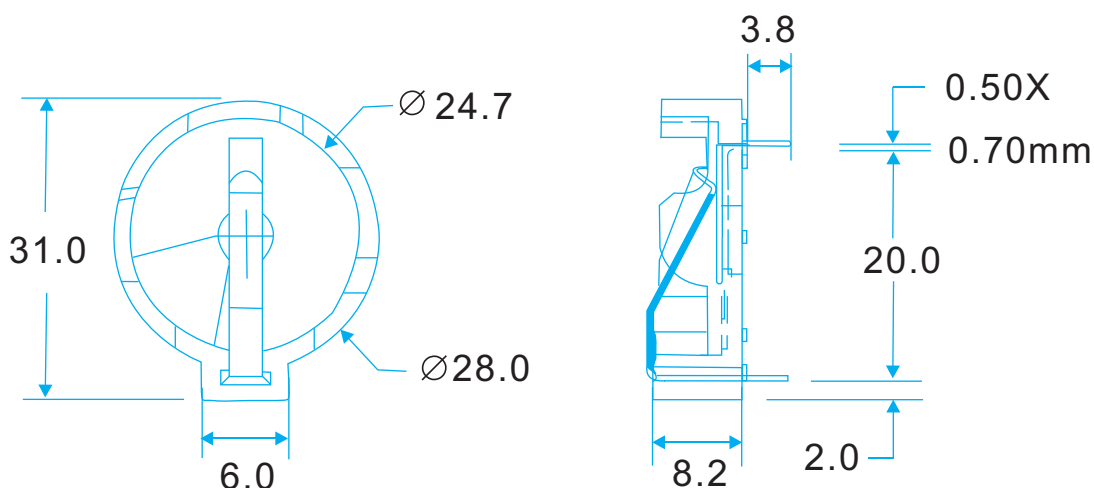
**CONTACT:**  
0.5mm PHOSPHOR BRONZE ALLOY W/TIN PLATED

**CONTACT LOADING:**  
3 AMP

**COLOUR:**  
BLACK

**OPERATION TEMP:**  
-55°C+125°C

**DURABILITY:**  
50 CYCLES (SAME TYPE)



Specifications subject to change without notice