

6200N Series

Tubeaxial

Ø 172x51mm

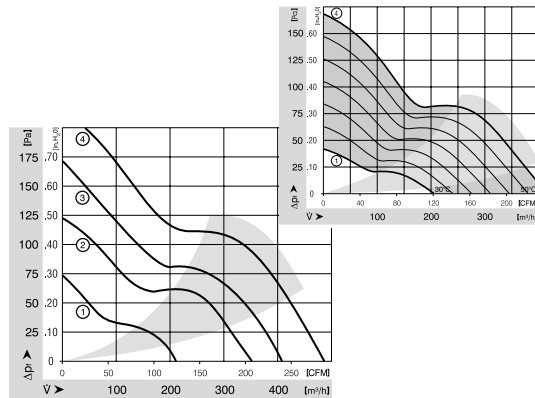
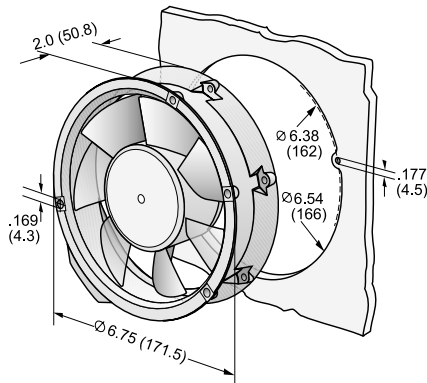


- DC fans with electronically commutated external rotor motor. Fully integrated commutation electronics. With electronic protection against reverse polarity and blocking; electronic motor current limitation in the start-up phase when rotor is blocked.
- Metal fan housing, impeller of fiber-glass reinforced plastic PA.
- Air exhaust over struts. Rotational direction CCW looking at rotor.
- Electrical connection via 2 flat pins 3 x 0.5 mm. Housing with ground lug for screw M4 x 8 (TORX).
- UL, CSA, VDE approvals on some models, please contact application engineering.
- Mounting from either face using two 4.3 mm holes.

Part Number	Curve	CFM @ 0	VDC	Volt. Range	Power (W)	dBa	Max Amb. Temp C	Bearing Type	Features	Wgt. (lbs)
6212NM	2	206.0	12	8 to 15	12.0	50	72	Ball	Terminals	1.75
6224NM	2	206.0	24	12 to 32	12.0	50	72	Ball	Terminals	1.75
6224N	3	241.3	24	12 to 28	18.0	55	72	Ball	Terminals	1.75
6224N/2	3	241.3	24	12 to 28	18.0	55	72	Ball	Terminals	1.75
6224N/12	3	241.3	24	12 to 28	18.0	55	72	Ball	Terminals	1.75
6224NH	4	282.5	24	12 to 28	26.0	61	55	Ball	Terminals	1.75
6248NL	1	120.7	48	28 to 60	4.0	35	72	Ball	Terminals	1.75
6248NM	2	206.0	48	28 to 60	11.5	50	72	Ball	Terminals	1.75
6248N	3	241.3	48	28 to 60	17.0	55	72	Ball	Terminals	1.75
6248N/2	3	241.3	48	28 to 60	17.0	55	72	Ball	Terminals	1.75
6248N/12	3	241.3	48	28 to 60	17.0	55	72	Ball	Terminals	1.75
6248NH	4	282.5	48	36 to 56	26.0	61	55	Ball	Terminals	1.75

Variofan - DC fans with temperature-dependent speed control

30°C	6224NT	1	120.7	24	12 to 28	8.5	35	72	Ball	Leads	1.75
50°C		4	241.3								
30°C	6248NT	1	120.7	48	28 to 60	8.5	35	72	Ball	Leads	1.75
50°C		4	241.3								



Mouser Electronics

Authorized Distributor

Click to View Pricing, Inventory, Delivery & Lifecycle Information:

[ebm-papst:](#)

[6224N](#) [6212NM](#) [6224N/2](#) [6224NH](#) [6224NT](#) [6224NU](#) [6248N/12](#) [6248N/2](#) [6248NM](#) [6248NT](#) [6248N](#) [6224NHA-205](#)