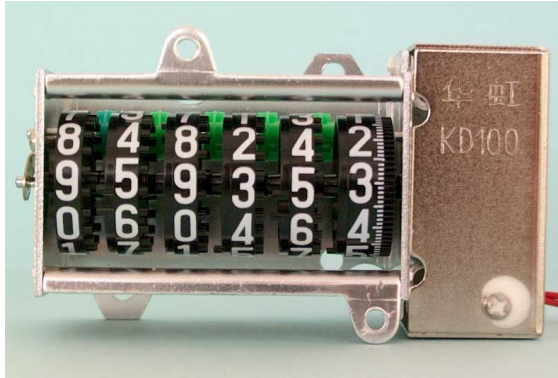


Register KD100/200 with Stepper Motor for Electronic Watt-Hour Meters



Register KD100, 6 digits

Applications:

- register for power-meters
- event-register
- service-hour meter

Features:

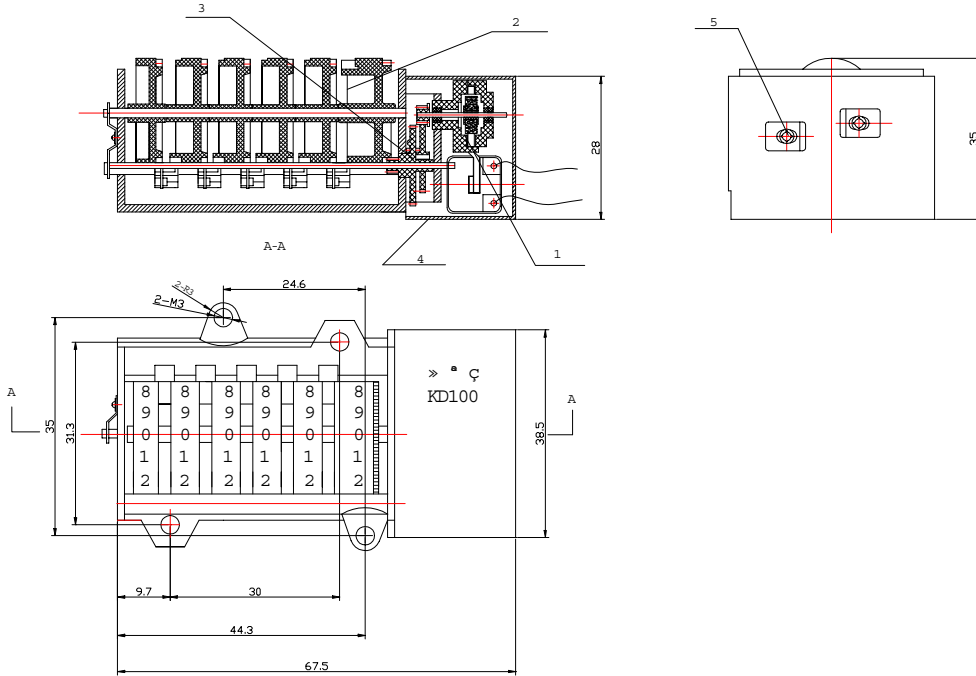
- 6 or 7 digits incl. 1 digit with cent division
- 5V operation
- magnetic shielded
- plastic cover for the drums

Technical data:

Drive	stepper motor
Driver signal	rectangular pulse with alternate polarity per pulse
Electrical connection	2 cables (~ 80mm length)
Display, Figures	6 or 7 digits total, the right wheel with cent divisions; black wheels with white numbers, right wheel with cent division
Counter constant	100 pulses / 1 circle of the right wheel for KD100 200 pulses / 1 circle of the right wheel for KD200
Movement	stepping digits, the wheel on the right with 3.6° angle step (KD100) stepping digits, the wheel on the right with 1.8° angle step (KD200)
Digit size	5,1 x 3,1 mm
Coil resistance	450 ± 50Ω
Supply voltage	3,5V ~ 7V
Power consumption	60mW at 5V (for continuous signal)
Range pulse-on time	50ms ~ 300ms
Maximum Frequency	Less than 10pulses per second
Operating Torque	More than 20gcm at the right roller
Magnetic shield	motor shielded with iron case
housing	metal
Operating Temperature Range	-40°C ~ +85°C
Fixing of the register	Up/Down installation (KD with 6 digits) Down installation (KD with 7 digits)
Plastic cover for the drums	Only for KD with 6 drums
Design	KD100.6 (6 drums, c=100imp/kWh) KD100.7 (7 drums, c=100imp/kWh) KD200.6 (6 drums, c=200imp/kWh) KD200.7 (7 drums, c=200imp/kWh)

Roller Register KD100 with Stepper Motor for Electronic Watt-Hour Meters

Dimensions KD100/200 with 6 drums:



Dimensions KD100/200 with 7 drums:

