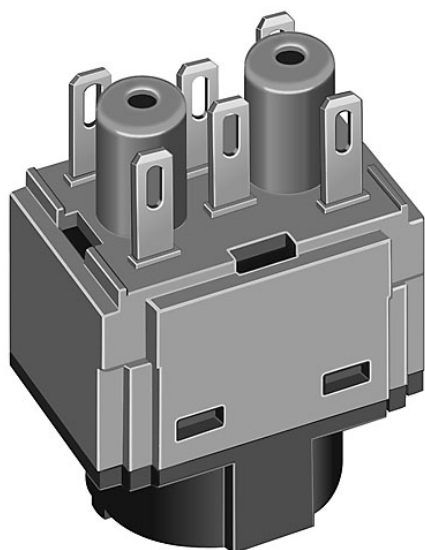


EAO – Your Expert Partner for Human Machine Interfaces

61-8720.37 - Switching element for keylock- and selector switch 3 positions

61-8720.37 - Switching element for keylock- and selector switch 3 positions



Attention: The preview is based on a sample product. This can differ from your current configuration.

Other Attributes

Weight 0.008 kg

Connection Method

Terminal Solder 2.8 x 0.5 mm

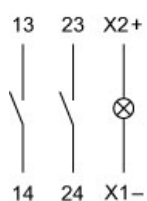
Switching element

Switching system Slow-make switching element
Contacts 2 NO
Contact material Gold
Switching voltage 50 V AC/DC
Switching current 0.3 A

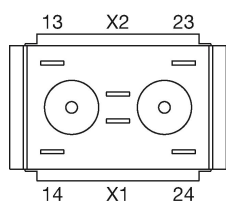
EAO – Your Expert Partner for Human Machine Interfaces

61-8720.37 - Switching element for keylock- and selector switch 3 positions

Wiring diagram



Component layout



Additional information

with lamp terminal

We offer a dismantling tool Part No. 61-9711.0 for dismantling of the switching element

Legend

Contacts: NO = Normally open