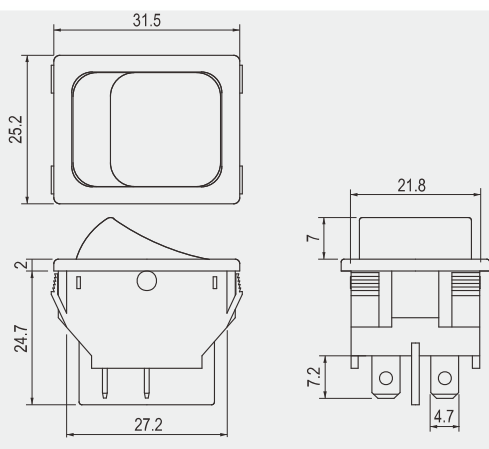


# Different Terminal

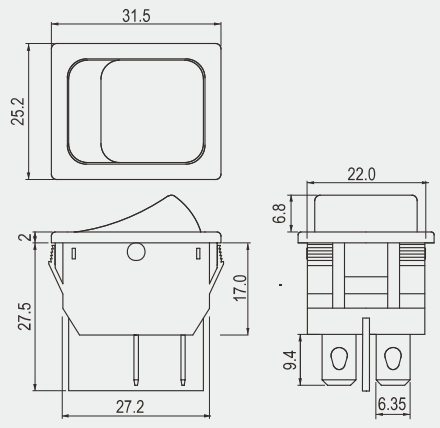
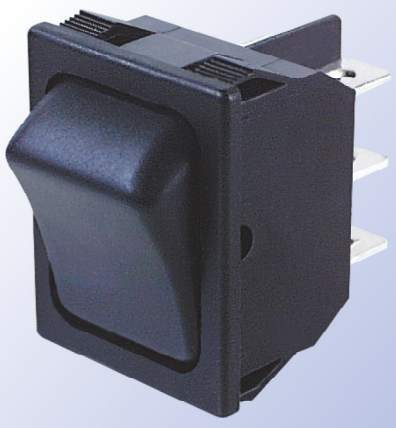
R13-87: R13-117:

## R13-87



Rating (for R13-87)
16A 125V AC 1/3HP 10A 250V AC 1/2HP
Contact resistance
50mΩ Max
Insulation resistance
DC 500V 100MΩ Min
Dielectric strength
AC 1500V 1 minute

## R13-117



Rating (for R13-117)
16A 125V AC 10A 250V AC
Contact resistance
50mΩ Max
Insulation resistance
DC 500V 100MΩ Min
Dielectric strength
AC 1500V 1 minute
Cut-out

X	Y

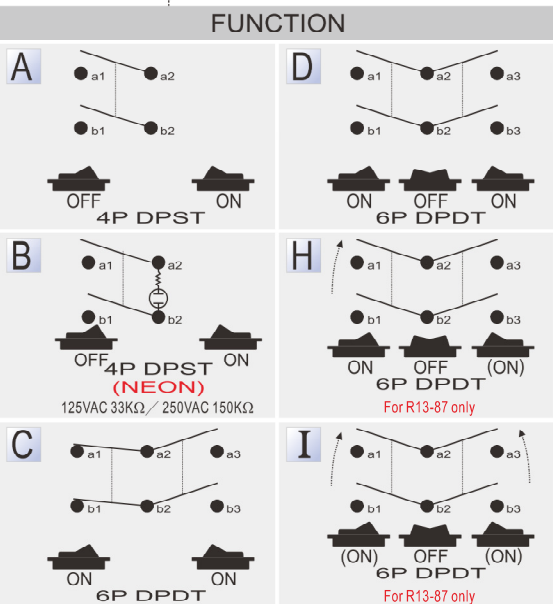
### FEATURES

- \* MATERIAL: Frame is nylon (UL flame: 94V-2). Terminals are silver plated brass.
- \* Illuminated actuators are molded in PC, available with red, amber, green, blue and white colors.
- \* Snap-in mounting, easy to install switch into panel.
- \* Watertight cover is optional.



R13- 87 - 0 2

R13-117 - 0 1



0 1		.250" SQ	For R13-117 only
0 2		.187" SQ	For R13-87 only

\* ( ) =momentary

