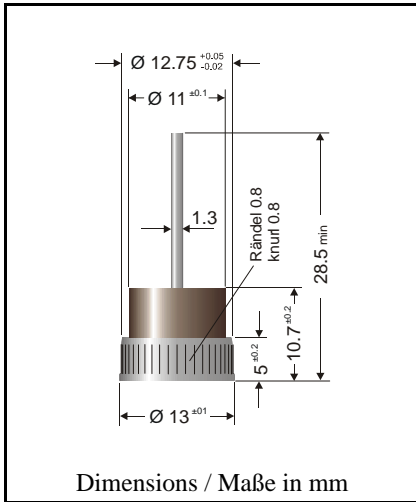


Silicon Press-Fit-Diodes
High-temperature diodes

Silizium-Einpreßdioden
Hochtemperaturdioden

Version 2004-10-01



Nominal current 60 A
 Nennstrom
 Repetitive peak reverse voltage 50...600 V
 Periodische Spitzensperrspannung
 Metal press-fit case with plastic cover
 Metall-Einpreßgehäuse mit Plastik-Abdeckung
 Weight approx. – Gewicht ca. 10 g
 Casting compound has UL classification 94V-0
 Vergußmasse UL94V-0 klassifiziert
 Standard packaging: bulk
 Standard Lieferform: lose im Karton

Maximum ratings

Grenzwerte

Type / Typ	Repetitive peak reverse voltage	Surge peak reverse voltage
Wire to / Draht an	Periodische Spitzensperrspannung	Stoßspitzensperrspannung
Anode Cathode	V_{RRM} [V]	V_{RSM} [V]
BYP60A05 BYP60K05	50	60
BYP60A1 BYP60K1	100	120
BYP60A2 BYP60K2	200	240
BYP60A3 BYP60K3	300	360
BYP60A4 BYP60K4	400	480
BYP60A6 BYP60K6	600	700

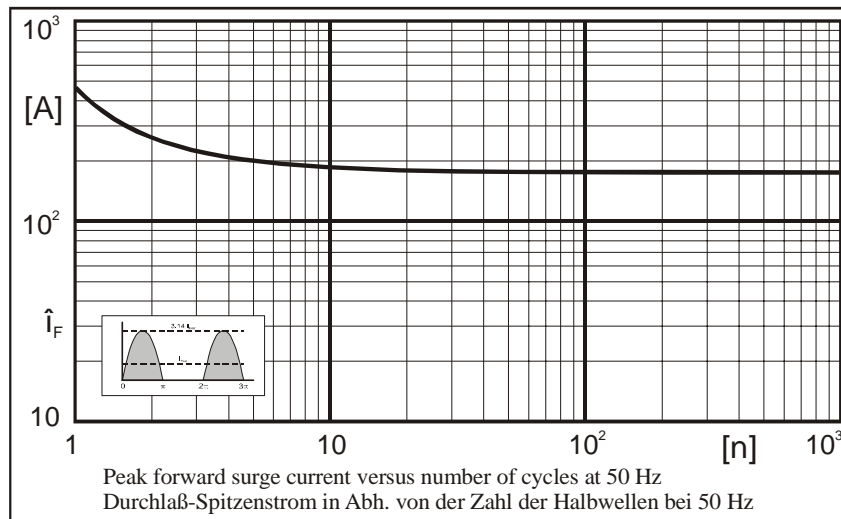
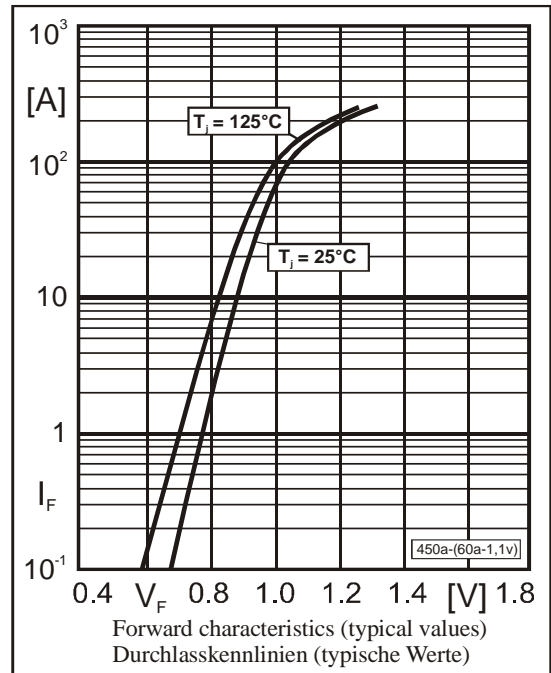
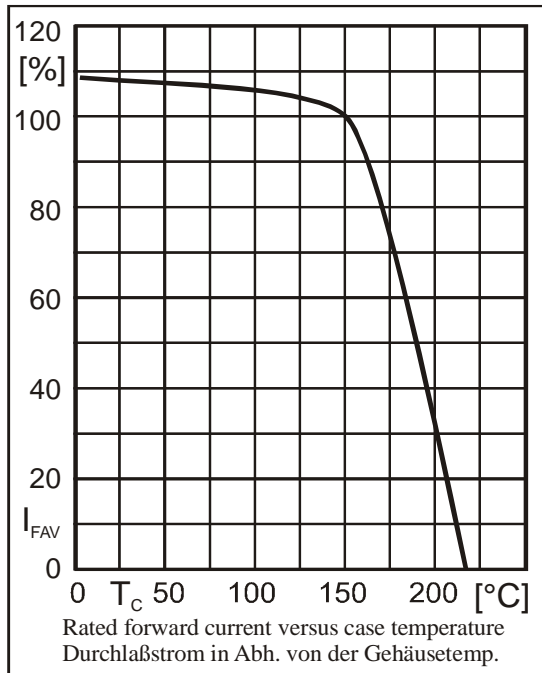
Max. average forward rectified current, R-load Dauerstrom in Einwegschtung mit R-Last	$T_C = 150^\circ\text{C}$	I_{FAV}	60 A
Repetitive peak forward current Periodischer Spitzenstrom	$f > 15\text{ Hz}$	I_{FRM}	190 A ¹⁾
Peak fwd. surge current, half sine-wave, $T_A = 25^\circ\text{C}$ Stoßstrom für eine Sinus-Halbwelle, $T_A = 25^\circ\text{C}$	$f = 50\text{ Hz}$ $f = 60\text{ Hz}$	I_{FSM} I_{FSM}	450 A 500 A
Rating for fusing – Grenzlastintegral, $t < 10\text{ ms}$	$T_A = 25^\circ\text{C}$	i^2t	1000 A ² s
Operating junction temperature – Sperrschichttemperatur Storage temperature – Lagerungstemperatur		T_j T_s	– 50...+215 °C – 50...+215 °C
Maximum pressure – Maximaler Einpreßdruck			7 kN

¹⁾ Max. case temperature $T_C = 150^\circ\text{C}$ – Max. Gehäusetemperatur $T_C = 150^\circ\text{C}$

Characteristics

Kennwerte

Forward voltage – Durchlaßspannung	$T_j = 25^\circ\text{C}$	$I_F = 60\text{ A}$	V_F	< 1.1 V
Leakage current – Sperrstrom	$T_j = 25^\circ\text{C}$	$V_R = V_{RRM}$	I_R	< 100 μA
Thermal resistance junction to case Wärmewiderstand Sperrschicht – Gehäuse			R_{thC}	< 0.6 K/W



Replacements / Ersatztypen			
New - Neu	Old - Alt	New - Neu	Old - Alt
BYP60K05	BYP70/60	BYP60A05	BYP75/60
BYP60K1	BYP71/60	BYP60A1	BYP76/60
BYP60K2	BYP72/60	BYP60A2	BYP77/60
BYP60K3	BYP73/60	BYP60A3	BYP78/60
BYP60K4	BYP74/60	BYP60A4	BYP79/60