

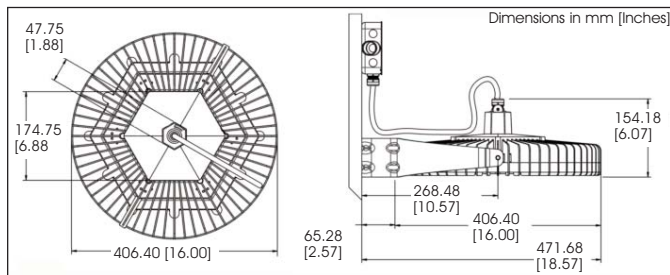
Dialight



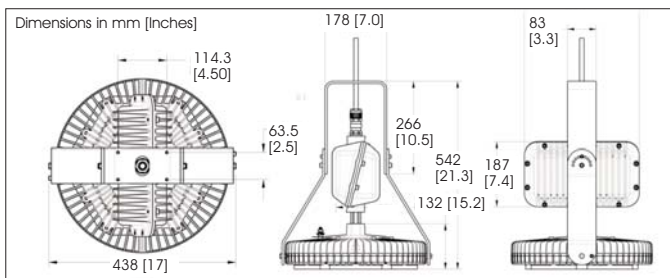
Patent Pending

SafeSite® LED High Bay Luminaire ATEX/IECEx

9,500 - 14,500lm



21,000lm



Certifications & Ratings

Standard ATEX/IECEx

21,000lm

- EX II 2 GD Ex d IIB T5 Gb
- Ex tb IIIC T100°C Db

14,500lm

- Ex II 2 GD Ex d IIB T4 Gb (factory fitted cable)
- Ex II 2 GD Ex d e IIB T4 Gb (factory fitted junction box)
- Ex tb IIIC 135°C Db

9,500lm and 11,500lm

- Ex II 2 GD Ex d IIB T5 Gb (factory fitted cable)
- Ex II 2 GD Ex d e IIB T5 Gb (factory fitted junction box)
- Ex tb IIIC 100°C Db

All Standard ATEX/IECEx

- Certificate numbers: IECEx BAS 10.0074X
- Baseefa 10ATEX0148X

Hydrogen Environment ATEX/IECEx Models (9,500 - 11,500lm)

- Ex II 2 GD Ex d IIB+H2 T5 Gb (factory fitted cable)
- Ex II 2 GD Ex d e IIB+H2 T5 Gb (factory fitted junction box)
- Ex tb IIIC T100°C Db IP66

- Certificate numbers: IECEx BAS 12.0044X
- Baseefa 12ATEX0070X

All Models

- ATEX Zones 1 & 21 and 2 & 22
- CE - EN 55015-2006 & EN 61547
- ABS Design Assessed: #13-HS1043210A (21,000lm models pending)
- IP 66
- RoHS compliant

Features & Benefits

- L70 rated for > 100,000 hours @ 25°C ambient
- 10 year full performance warranty (21,000lm)
- 5 year full performance warranty (9,500-14,500lm)
- Low power consumption
- Instant on/off operation
- Mercury free, lead free
- Resistant to shock and vibration
- Superior colour rendition index compared to HPS, LPS & MV
- Temperature compensation technology for longer life
- SWB/EPR Cable 3 core 1.5mm² CSA or Junction Box option
- One man installation
- Replaces up to 400W HID fittings

Application

The first of its kind, the Dialight SafeSite® LED High Bay luminaire was designed specifically to replace conventional lighting in a wide variety of hazardous area applications, both indoor and outdoor. Its low profile light weight design and versatile mounting options make it ideal for High Bay applications for ATEX and IECEx classified hazardous area zones.

All of Dialight's long life LED luminaires are designed to meet the most demanding specification criteria while offering maximum energy savings, reduced maintenance costs, and a superior quality of light.

Mechanical Information

Fixture Weight:

21,000lm:	20.0 kg (44 lbs)
9,500-14,500lm:	13.6 kg (30 lbs) with fixed cable 15.1 kg (33 lbs) with junction box

Mounting:

Stirrup Mounting Bracket included

Fixing:

Factory installed 3 meter SWB cable or factory fitted junction terminal box with 2 off M20 x 1.5mm cable entries

Electrical specifications

Operating Voltage:	100-277V AC, 50/60 Hz
Total System Power Consumption:	See table
Operating Temp:	-40°C to +60°C
Harmonics:	IEC 61000-3-2
Surge Protection:	EN 61000-4-5 1 kV line to line, 2 kV line to ground

THD: < 12%

Power Factor: > 0.9

Construction

Body:	Copper free alum.
Finish:	Light grey powder coated
Lens:	Toughened glass

Photometric Information

CRI:	70
CCT:	
14,500-21,000lm:	5,000K (cool white)
9,500-11,000lm:	6,000K (cool white)

All values typical unless otherwise stated

All lumen values are typical (tolerance +/- 10%)

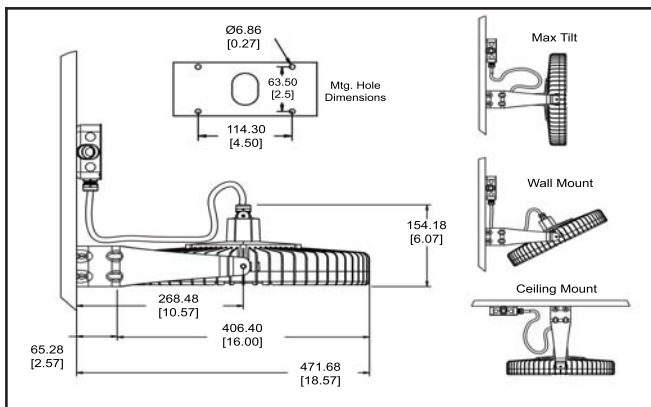


SafeSite® LED High Bay

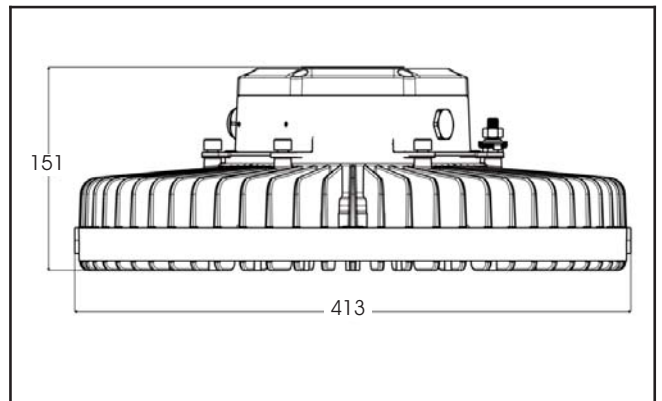
Ordering Codes

Part Number	Hydrogen Environments	Junction Box	Stainless Steel Fasteners and Gland	Initial Fixture Lumens	Typical	Maximum	Lumens Per Watt	Lens	Optic	Colour Temperature
HLAGC4KN				21,000	270W	315W	77	Toughened Glass	Narrow Circular	Cool White
HBA9CMP				14,500	172W	195W	81	Toughened Glass	Narrow Circular	Cool White
HBJA9CMP		•		14,500	172W	195W	81	Toughened Glass	Narrow Circular	Cool White
HBA9C4P				11,000	150W	165W	73	Toughened Glass	Narrow Circular	Cool White
HBJA9C4P		•		11,000	150W	165W	73	Toughened Glass	Narrow Circular	Cool White
HBA9C4M				9,500	150W	165W	63	Toughened Glass	Narrow Circular	Cool White
HBJA9C4M		•		9,500	150W	165W	63	Toughened Glass	Narrow Circular	Cool White
HBH9C4M	•			9,500	150W	165W	63	Toughened Glass	Narrow Circular	Cool White
HBH9C4M	•	•		9,500	150W	165W	63	Toughened Glass	Narrow Circular	Cool White
HBH9C4M-SS	•		•	9,500	150W	165W	63	Toughened Glass	Narrow Circular	Cool White

Mounting Options

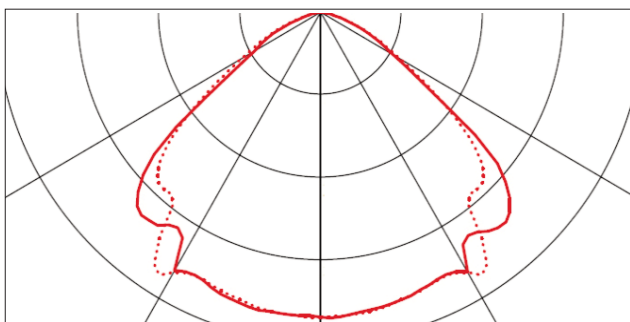


HBJA9C4M with Junction Box Dimensions

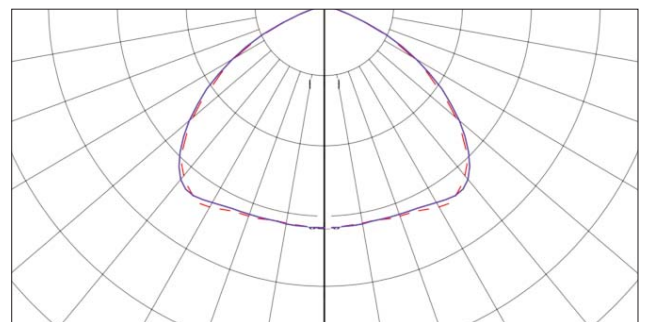


Polar Diagram

9,500 - 14,500lm



21,000lm



Dialight reserves the right to make changes at any time in order to supply the best product possible. The most current version of this document will always be available at: http://www.dialight.com/Assets/Brochures_And_Catalogs/Illumination/MDTFSFIHBEU001.pdf

Warranty Statement: EXCEPT FOR THE WARRANTY EXPRESSLY PROVIDED FOR [HEREIN/ABOVE/BELOW], DIALIGHT DISCLAIMS ANY AND ALL OTHER WARRANTIES, EXPRESS OR IMPLIED, INCLUDING, WITHOUT LIMITATION, ANY WARRANTIES OF MERCHANTABILITY, FITNESS FOR A PARTICULAR PURPOSE, TITLE, AND NON-INFRINGEMENT.