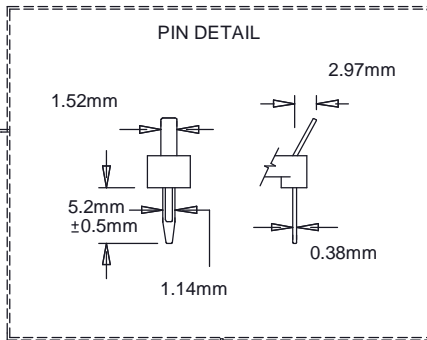
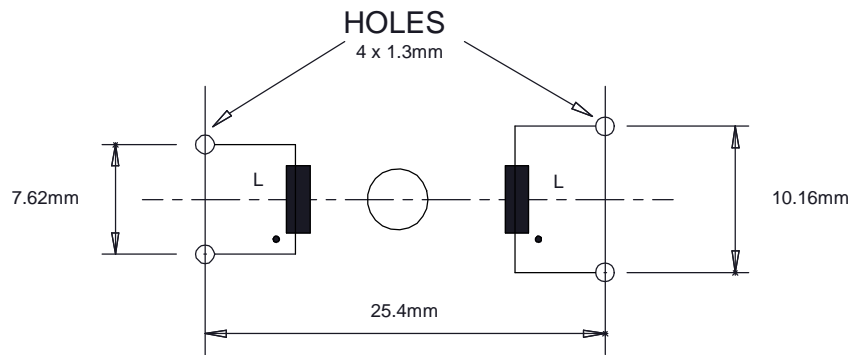


MAXIMUM HEIGHT ABOVE P.C.B. - 31mm ± 1  
 MAXIMUM FOOTPRINT - 32mm X 17mm

**MOUNTING DETAIL VIEWED FROM COMPONENT SIDE**



PRODUCT RANGE			
TYPE	I(Amps)	L(mH)	R(mOhm ) per winding
CMV05	0.5	40	2300
CMV10	1.0	18	640
CMV20	2.0	7.5	160
CMV30	3.0	3.2	71
CMV40	4.0	2.4	40
CMV60	6.0	1.4	19
CMV80	8.0	0.74	9.6

**SPECIFICATION**

**RATED VOLTAGE** 250V AC  
**LINE FREQUENCY** DC TO 440Hz  
**TEMPERATURE RANGE** -25C TO + 100C  
**AMBIENT TEMPERATURE** +45C @ RATED CURRENT