



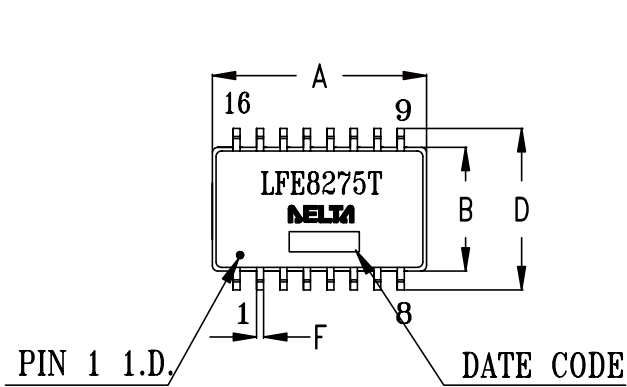
# SPECIFICATION FOR APPROVAL

CUSTOMER PART NO.:  
 DELTA PART NO.: LFE8275T  
 PART NAME: Lan filter

REV.: B

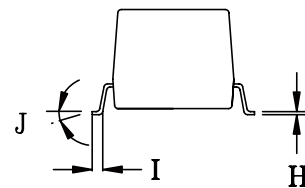
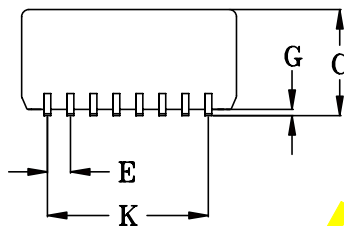


## 1. MECHANICAL DIMENSIONS :

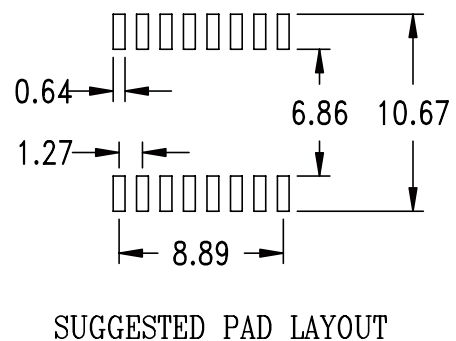
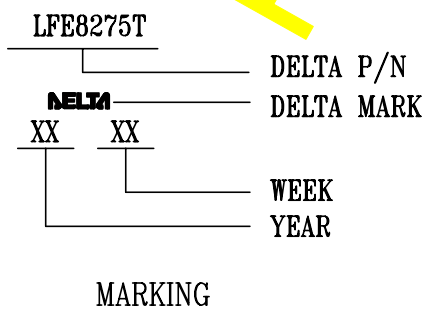


UNIT:mm/inch

A	12.90±0.254/0.508±0.010
B	7.10±0.254/0.279±0.010
C	5.95±0.254/0.234±0.010
D	9.45±0.254/0.372±0.010
E	1.27±0.127/0.050±0.005
F	0.46±0.127/0.018±0.005
G	0.254±0.127/0.010±0.005
H	0.254±0.127/0.010±0.005
I	0.38~1.27/0.015~0.050
J	0°~8°
K	8.89±0.127/0.350±0.005



## 2. MARKING AND RECOMMENDED PCB LAYOUT :



\* This specification is the proprietary of Delta Electronics, Inc.  
 \* This specification is only for preliminary review. If formal specification is required, please contact with our local Sales office or Rep.



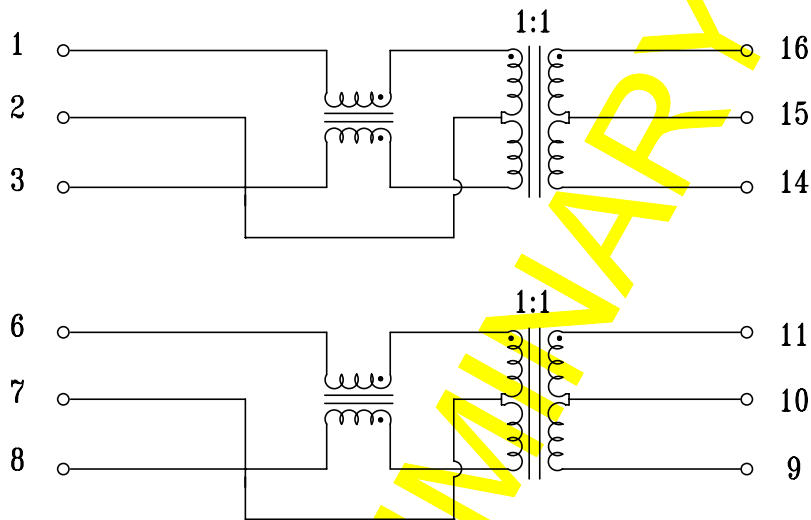
# SPECIFICATION FOR APPROVAL

CUSTOMER PART NO.:  
DELTA PART NO.: LFE8275T  
PART NAME: Lan filter

REV.: B



### 3. CIRCUIT SCHEMATIC:



\* This specification is the proprietary of Delta Electronics, Inc.  
\* This specification is only for preliminary review. If formal specification is required, please contact with our local Sales office or Rep.



# SPECIFICATION FOR APPROVAL

CUSTOMER PART NO.:  
 DELTA PART NO.: LFE8275T  
 PART NAME: Lan filter

REV.: B



## 4. ELECTRICAL CHARACTERISTICS (TEMP: 25°C, HUM: 65% RH)

### 4.1 TRANSMITTER FILTER:

INSERTION LOSS:	1-100MHz	1.0dB	MAX
RETURN LOSS:	2-30MHz	18dB	MIN
	40MHz	17dB	MIN
	50MHz	14.5dB	MIN
	60-80MHz	12dB	MIN

### 4.2 RECEIVER FILTER:

INSERTION LOSS:	1-100MHz	1.0dB	MAX
RETURN LOSS:	2-30MHz	18dB	MIN
	40MHz	17dB	MIN
	50MHz	14.5dB	MIN
	60-80MHz	12dB	MIN

### 4.3 CROSS TALK:

1-60MHz	38dB	MIN
60-100MHz	30dB	MIN

### 4.4 DIFFERENT TO COMMON MODE REJECTION:

1-30MHz	42dB	MIN
60MHz	37dB	MIN
100MHz	33dB	MIN

### 4.5 TURNS RATIO: @100KHz

TX : 1:1±5%  
 RX : 1:1±5%

### 4.6 PRIMARY INDUCTANCE: @100KHz,0.1V 8mA DC BIAS

(11-9),(16-14)350uH MIN

### 4.7 HI-POT TEST: @60Hz,1mA

(PRI TO SEC) : 1500Vrms , 60Sec

- \* RoHS compliant
- \* SOLDER WIRE SAC 305 Sn 96.5/Ag 3.0/Cu 0.5
- \* Use Pb:Sn=w95:w5 solder for internal connection which is exempted from RoHS regulations
- \* STORAGE TEMPERATURE RANGE: -40°C~85°C
- \* OPERATE TEMPERATURE : -40°C~85°C

\* This specification is the proprietary of Delta Electronics, Inc.

\* This specification is only for preliminary review. If formal specification is required, please contact with our local Sales office or Rep.