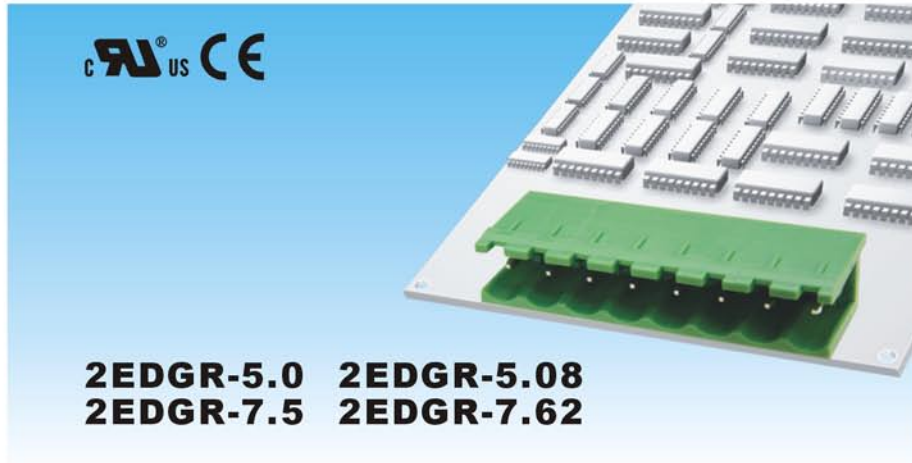


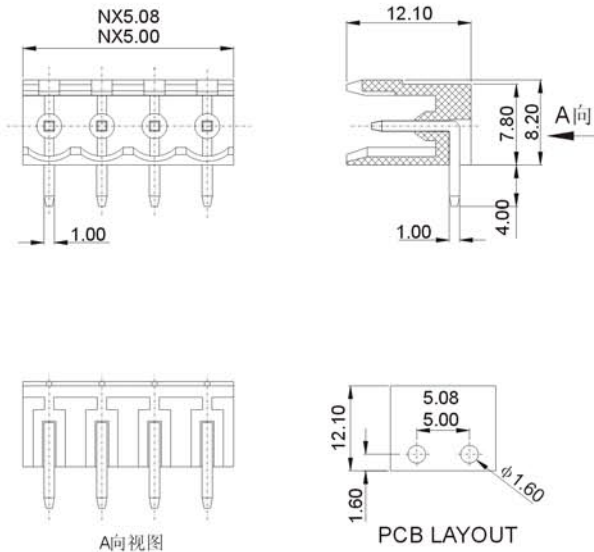


DEGSON ELECTRONICS CO., LTD.

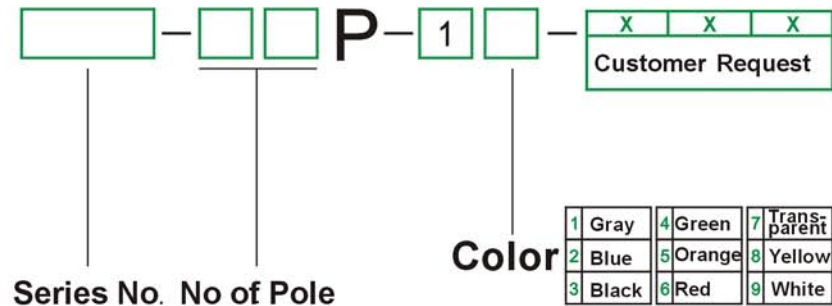
Product Specification



| Material | |
|-------------------------|-------------------|
| Pin header : | Brass, Tin plated |
| Housing : | PA66, UL94V-0 |
| Electrical | |
| Rated voltage : | 300V |
| Rated current : | 15A |
| Contact resistance : | 20mΩ |
| Insulation resistance : | 5000MΩ /DC1000V |
| Withstanding voltage: | AC2000V/1Min |
| Mechanical | |
| Temp.Range : | -40°C~+105°C |



HOW TO ORDER:



Series No. No of Pole

Color

| | |
|--|---|
| | DEGSON ELECTRONICS CO., LTD. |
| | NAME 2EDGR-5.0 2EDGR-5.08 2EDGR-7.5 2EDGR-7.62 |