

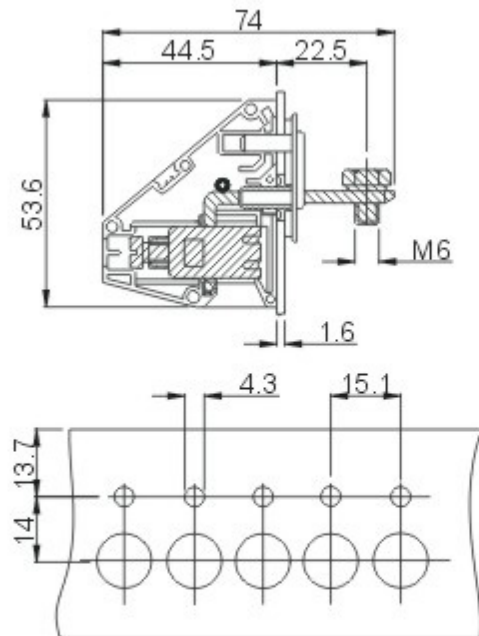


DEGSON ELECTRONICS CO., LTD.

Product Specification



DKP25



Approval

Electrical

Standard	UL	IEC
Rated voltage	600V	500V
Rated current	115A	101A
Wire range	10-2AWG	10-25mm ²
With standing voltage	AC3000V/1Min	

Mechanical

Torque	2.0Nm(17.5Lb-In.)	
Ambient temperature	-40°C~+105°C	
Strip length	19mm	

Material

Housing	PA 66, UL94V-0	
Screws	M5, Brass, Ni plated	
Contact	Copper, Tin plated	
Cage	Steel, Cr ³⁺ Zn plated	

HOW TO ORDER

Ordering code: **DKP25** - **P** - - Customer Request

Series Number: DKP25

Number of Pole: P

Color:

1	Grey	4	Green	7	Trans-parent
2	Blue	5	Orange	8	Yellow
3	Black	6	Red	9	White

		DEGSON ELECTRONICS CO., LTD.
	NAME	DKP25