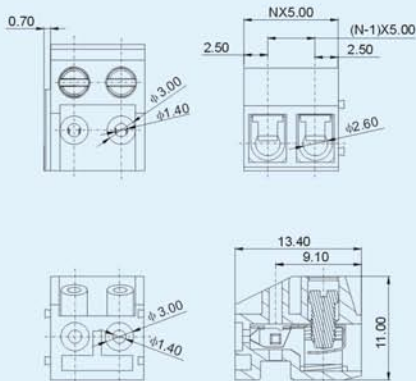




**DG332K-5.0**



Pitch:5.0mm

- **材质及电镀**  
 螺丝 : M2.5, 钢, 镀锌  
 簧片 : 磷青铜, 镀镍  
 触点材料: 黄铜, 镀镍  
 塑件 : PBT, UL94V-0
- **电气性能**  
 额定电压 : 300V  
 额定电流 : 10A  
 接触电阻 : 20mΩ  
 绝缘电阻 : 5000MΩ/1000V  
 耐电压 : AC2000V/1Min  
 使用线径 : 28-16AWG 1.5mm<sup>2</sup>
- **机械性能**  
 温度范围 : -30°C~+120°C  
 瞬时温度 : +250°C 5秒  
 扭矩 : 0.4Nm(3.6lb.in)  
 剥线长度 : 4.5mm

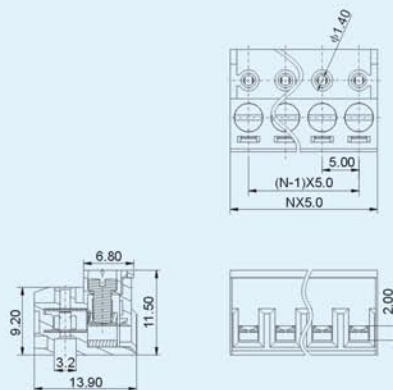
- **Material**  
 Screws : M2.5 steel Zinc plated  
 Wire guard : Phosphor bronze, Ni plated  
 Contact : Brass, Ni Plated  
 Housing : PBT, UL94V-0

- **Electrical**  
 Rated voltage : 300V  
 Rated current : 10A  
 Contact resistance : 20mΩ  
 Insulation resistance: 5000MΩ/1000V  
 Withstanding voltage: AC2000V/1Min  
 Wire range : 28-16AWG 1.5mm<sup>2</sup>

- **Mechanical**  
 Temp.Range : -30°C~+120°C  
 MAX Soldering: +250°C, for 5 Sec.  
 Torque : 0.4Nm(3.6lb.in)  
 Strip length : 4.5mm



**DG332W-5.0**



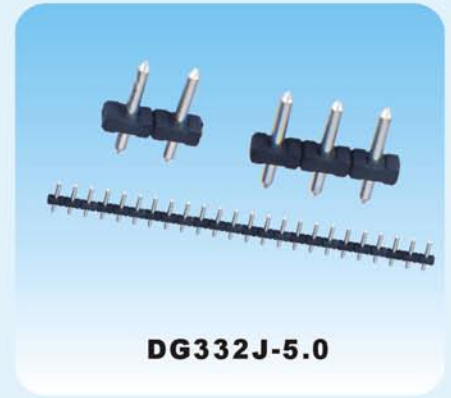
Pitch:5.0mm

- **材质及电镀**  
 螺丝 : M2.5, 钢, 镀锌  
 簧片 : 磷青铜, 镀镍  
 触点材料: 黄铜, 镀镍  
 塑件 : PA66, UL94V-0
- **电气性能**  
 额定电压 : 300V  
 额定电流 : 10A  
 接触电阻 : 20mΩ  
 绝缘电阻 : 5000MΩ/1000V  
 耐电压 : AC2000V/1Min  
 使用线径 : 22-16AWG 1.5mm<sup>2</sup>
- **机械性能**  
 温度范围 : -40°C~+105°C  
 瞬时温度 : +250°C 5秒  
 扭矩 : 0.4Nm(3.6lb.in)  
 剥线长度 : 4.5mm

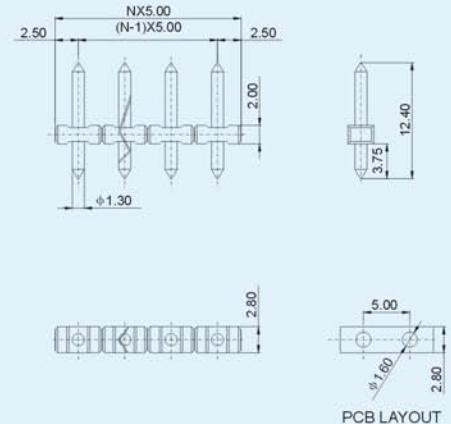
- **Material**  
 Screws : M2.5 steel Zinc plated  
 Wire guard : Phosphor bronze, Ni plated  
 Contact : Brass, Ni Plated  
 Housing : PA66, UL94V-0

- **Electrical**  
 Rated voltage : 300V  
 Rated current : 10A  
 Contact resistance : 20mΩ  
 Insulation resistance: 5000MΩ/1000V  
 Withstanding voltage: AC2000V/1Min  
 Wire range : 22-16AWG 1.5mm<sup>2</sup>

- **Mechanical**  
 Temp.Range : -40°C~+105°C  
 MAX Soldering: +250°C, for 5 Sec.  
 Torque : 0.4Nm(3.6lb.in)  
 Strip length : 4.5mm



**DG332J-5.0**



Pitch:5.0mm

- **材质及电镀**  
 焊针: 黄铜, 镀锡  
 塑件: PBT, UL94V-0
- **电气性能**  
 额定电压 : 300V  
 额定电流 : 10A  
 接触电阻 : 20mΩ  
 绝缘电阻 : 5000MΩ/1000V  
 耐电压 : AC2000V/1Min
- **机械性能**  
 温度范围 : -30°C~+120°C  
 瞬时温度 : +250°C 5秒

- **Material**  
 Pin header : Brass, Tin plated  
 Housing : PBT, UL94V-0

- **Electrical**  
 Rated voltage : 300V  
 Rated current : 10A  
 Contact resistance : 20mΩ  
 Insulation resistance: 5000MΩ/1000V  
 Withstanding voltage: AC2000V/1Min

- **Mechanical**  
 Temp.Range : -30°C~+120°C  
 MAX Soldering: +250°C, for 5 Sec.