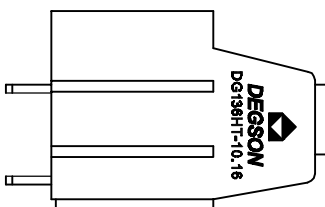
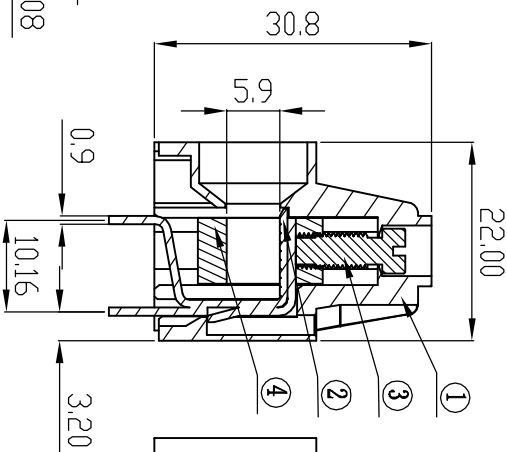


Section A-A



- Notes:
1. Pitch: 10.16mm, Poles: 1P-XXP
 2. Rated voltage/current: UL 600V/60A IEC 690V/65A
 3. Insulation resistance: 5000MΩ /DC1000V
 4. Withstanding voltage : AC3000V/1min
 5. Temp. Range : -40°C~+105°C
 6. Wire Range: 20~6AWG, 16.0mm²
 7. Max. Torque Value: M4, 12.24kgf.cm
 8. Undimensioned Tolerances:

| Pitch range | in mm | | Nominal dimension range | | in mm |
|-------------|-------|-------|-------------------------|------|-------|
| | over | to | over | to | |
| ±0.10 | ±0.15 | ±0.25 | ±0.2 | ±0.3 | ±0.5 |
| ±0.10 | ±0.15 | ±0.25 | ±0.2 | ±0.3 | ±0.7 |
| ±0.10 | ±0.15 | ±0.25 | ±0.2 | ±0.3 | ±1.0 |

| | | | | | |
|---|-------------------|---------------|----|--------|-----------|
| 4 | PC10 Brass Cage | X000000910(H) | XX | Brass | Ni plated |
| 3 | PC6 M4-Screw | S000001490(H) | XX | Steel | Ni plated |
| 2 | DG136T Pin header | 4115B00010(H) | XX | Copper | Solder |

| | | | | | |
|---|-----------------|---------------|----|------|---------|
| 1 | DG136HT Housing | 4116A0Y01A(H) | XX | PA66 | UL94V-0 |
|---|-----------------|---------------|----|------|---------|

DETACHED LISTS

| | | | | | |
|------|--------------|-------------|-----|----------|-------|
| ITEM | NAME OF PART | NO. OF PART | QTY | MATERIAL | NOTES |
| | | | | | |

NAME: DG136HT-10.16-XXP-1Y-00A
 DRAWING NO. DG136HT-10.16-E01
 /PART NO.
 DD NOT SCALE DRAWING

DEGSON 宁波德正电子有限公司
 DEGSON ELECTRONICS CO., LTD

SIZE: A3
 REV: 12/07/09
 SHEET 1 OF 1

8 7 6 5 4 3 2 1