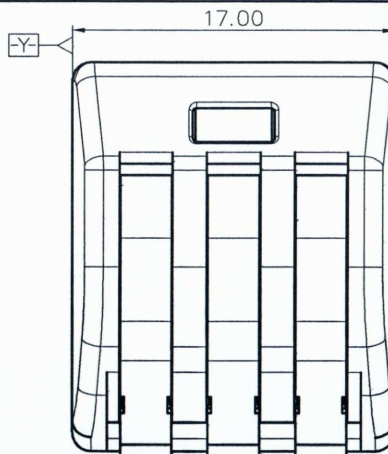
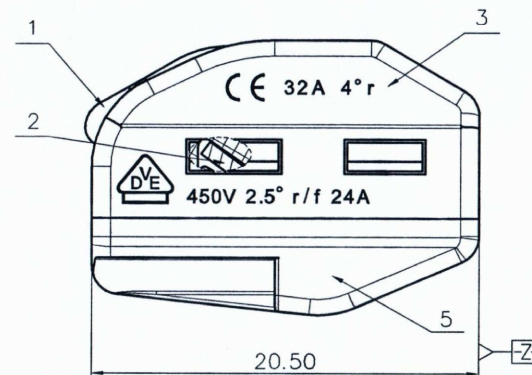
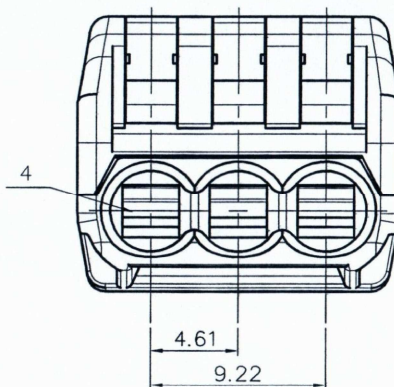
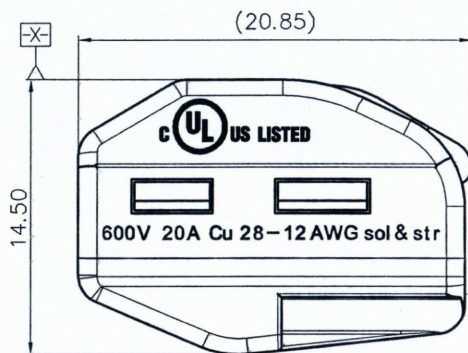


REVISION RECORD				
REV	ECN	DESCRIPTION	DRFT	DATE



DG223 - 4.61 - 03P - 1Y - 00A (H)
 (Series No.) (Pitch) (Poles) (Single Pitch) (Color): 1.(Grey)
 2.(Blue)
 3.(Black)
 4.(Green)
 5.(Orange)
 6.(Red)
 7.(Transparent)
 8.(Yellow)
 9.(White)
 (RoHS)
 00A-(Standard)



NOTES1:

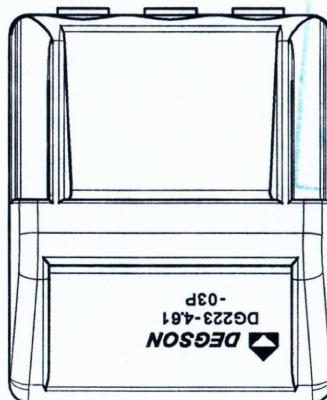
- UL Standard
 - Rated voltage/current : 600V / 20A
 - Wire range : 28~12AWG
- VDE Standard
 - Rated voltage/current : 450V / 24A
 - Wire range : 0.2~2.5mm²
- IEC Standard
 - Rated voltage/current : 450V / 32A
 - Wire range : 0.2~2.5mm²(str)
0.2~4.0mm²(sol)

NOTES2:

- Dimension shall be interpreted per ASME Y14.5-2009
- Pitch : 4.61mm, Poles : N=03P
- Stripping length : 9~10mm
- Withstanding voltage : AC2500V/1Min
- Operating temperature: -40°C~+105°C
- Undimensioned tolerances:

Pitch range in mm		Nominal dimension range in mm						
TO	Over	TO	Over	TO	Over	TO	Over	
6	10	30	60	100	150			0.1/10
6	10	30	60	100	150			<
±0.15	±0.20	±0.30	±0.30	±0.50	±0.70	±1.00	±1.30	±2'

7.RoHS Compliance



仅供参考图
 日期: 16-17

ITEM	NAME OF PART	MATERIAL	NOTES
5	Housing	PA66	UL94V-0
4	Spring	Stainless steel	
3	Cover	PA66	UL94V-0
2	Current carrier	Copper alloy	Sn Plated
1	Button	POM	UL94HB

PART NO.: /	宁波高松电子有限公司 NINGBO DEGSON ELECTRICAL CO., LTD		
APPD: Aaron 16-17	NAME: DG223-4.61-03P-1Y-00A(H)		
CHKD: Frank 16-17	TITLE: CUSTOMER DRAWING		REV D0-1
DRFT: MEK 07/08/16"	DRAWING NO.: DG223-4.61-C02	SHEET 1/1	SCALE 1:1
THIRD ANGLE PROJECTION	MM (INCH)	DO NOT SCALE DRAWING	SCALE 1:1