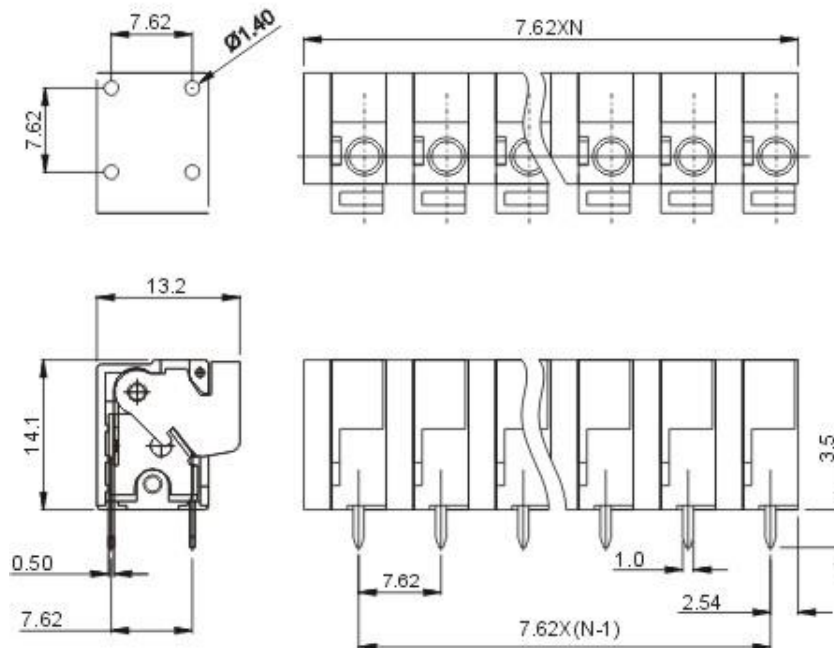


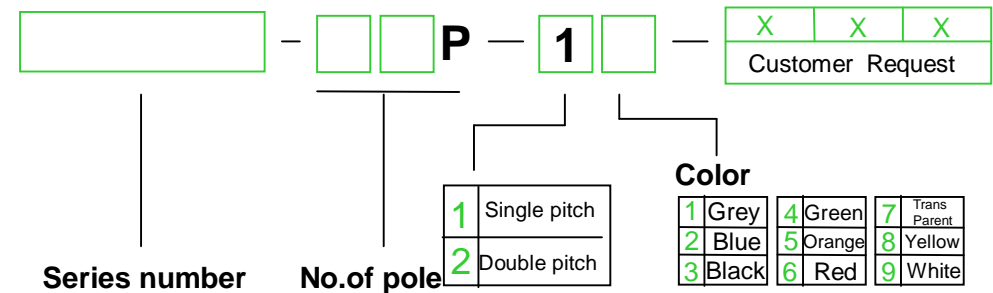



PCB LAYOUT



Approval		
Electrical		
Standard	UL	IEC
Rated voltage	300V	450V
Rated current	10A	15A
Wire range	22-16AWG	0.2-1.5mm ²
Withstanding voltage	AC2500V/1Min	
Mechanical		
Ambient temperature	-40°C ~ +105 °C	
Strip length	10mm	
Dimensions		
Pitch	7.62mm (.300")	
Poles	1P-XXP	
Material		
Housing	PA66, UL94V-0	
Pin header	Brass, Tin plated	
Wire guard	Stainless steel	

HOW TO ORDER :



mm (INCH)	 DEGSON ELECTRONICS CO., LTD.
THROANGLE PROJECTION	NAME DG142V-7.62