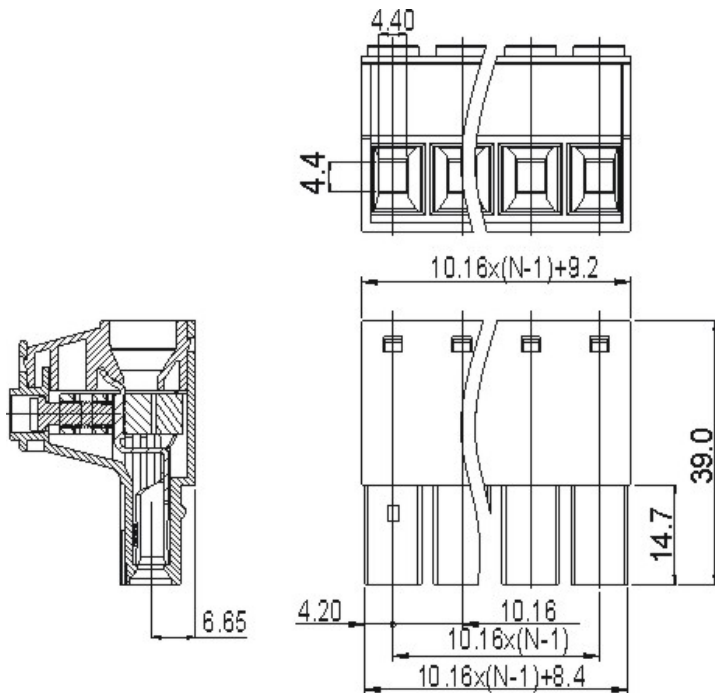






**5EDGK-10.16**



<b>APPROVAL</b>		
<b>Electrical</b>		
Standard	<b>UL</b>	<b>IEC</b>
Rated voltage	600V	600V
Rated current	52A	57A
Wire range	20AWG	0.5-10mm <sup>2</sup>
Withstanding voltage	AC3500V/1Min	
<b>Mechanical</b>		
Ambient temperature	-40°C~+105 °C	
Strip length	12mm	
Torque	1.2Nm(10.5Lb-In)	
<b>Dimensions</b>		
Pitch	10.16mm(.400" )	
Poles	2P-9P	
<b>Material</b>		
Housing	PA66,UL94V-0	
Contact	Copper	
Screws	M4,Steel, Cr <sup>3+</sup> Zn-plated	
Cage	Brass,Ni-plated	

### HOW TO ORDER :

-  **P** -  - 

X	X	X
---	---	---

  
Customer Request

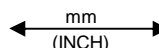


Series number

No. of pole

1	Single pitch
2	Double pitch

#### Color

1	Grey	4	Green	7	Trans Parent
2	Blue	5	Orange	8	Yellow
3	Black	6	Red	9	White

 mm (INCH)	 <b>DEGSON ELECTRONICS CO., LTD.</b>
 THROANGLE PROJECTION	<b>NAME</b> <b>5EDGK-10.16</b>