

● **Material**

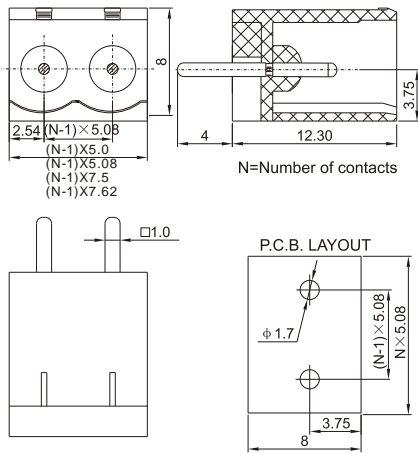
Pin header : Brass, Tin plated
Housing : PA66, UL94V-0

● **Electrical**

Rated voltage : 300V
Rated current : 15A
Contact resistance : 20mΩ
Insulation resistance: 5000MΩ/1000V
Withstanding voltage: AC1500V/1Min

● **Mechanical**

Temp.Range : -40°C~+105°C
MAX Soldering: +250°C ,for 5 Sec.



Pitch:5.0mm,5.08mm,7.5mm,7.62mm