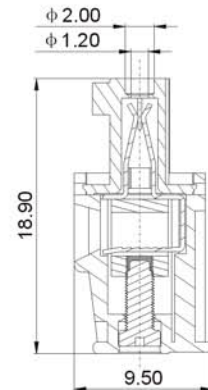
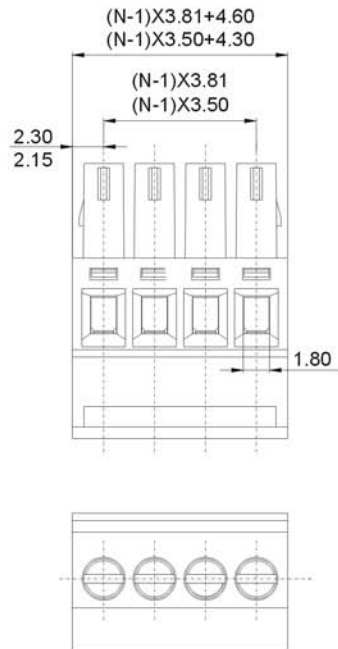




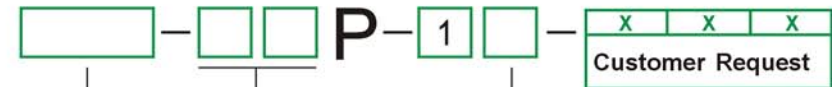
DEGSON ELECTRONICS CO., LTD.

Product Specification



Material	
Screws	: M2 steel Zinc plated
Contact	: Phosphor bronze
Housing	: PBT, UL94V-0
Electrical	
Rated voltage	: 300V
Rated current	: 8A
Contact resistance	: 20mΩ
Insulation resistance	: 5000MΩ /DC1000V
Withstanding voltage	: AC2000V/1Min
Wire range	: 28-16AWG 1.5mm ²
Mechanical	
Temp. Range	: -30°C~+120°C
Torque	: 0.2Nm(1.7lb.in)
Strip length	: 6-7mm

HOW TO ORDER:



Series No. No of Pole

Color

1 Gray	4 Green	7 Trans- parent
2 Blue	5 Orange	8 Yellow
3 Black	6 Red	9 White

	DEGSON ELECTRONICS CO., LTD.
	NAME 15EDGKA-3.5 15EDGKA-3.81