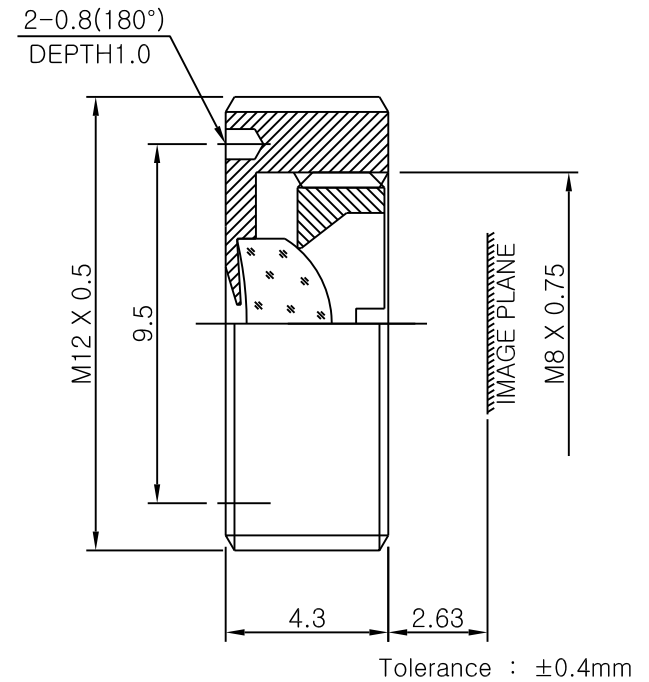


# SPECIFICATION

MODEL : DW 9701-12

1. Sensing Area : 1/3"
2. Focal Length : 3.8mm
3. Back Focal Length : 4.12mm
4. F NO. : 3.5
5. Iris : Fixed
6. Optical Distortion : -22.6%
7. Angle of View : 90°
8. Focus Extent : 40cm - ∞
9. Lens Construction : 1 Components 1 Elements , Glass
10. Weight : 1.3g



DAIWON OPTICAL CO., LTD.