



RSF64EXS & RSF64EXT

Variable insertion depth Float Switches



- Insertion depth 130mm - 1340mm
- Easy installation
- Adjustable level

Technical Specification

Temp. Range	°C	-20 / +75
	°F	-4 ./ +167
Min. Fluid SG		0.65
Float material		Polypropylene
Stem material		PPS (Polyphenylene Sulphide)
Tube material		PVC Class 7
Cable length		150cm PVC 2 core 7/0.2

Electrical Specification

Switching Power Max	VA	25
Switching Voltage AC Max	V	240
Switching Voltage DC Max	V	120
Switching Current Max	A	0.6

All ratings are for resistive load only.

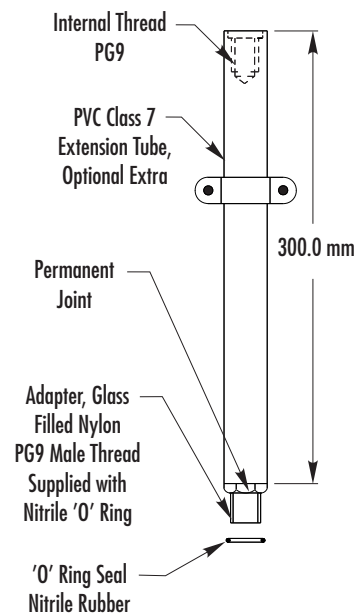
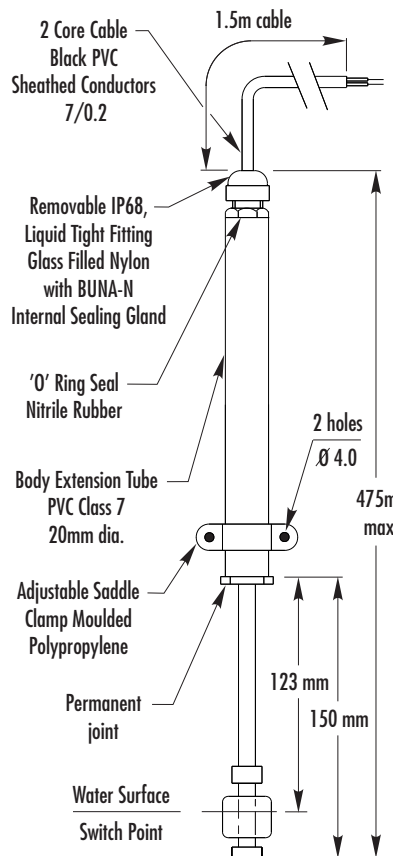
Standard Parts	RSF64EXS	RSF64BEXS	RSF64EXT
Switching action	N/O (make on rise)	N/C (make on fall)	Tube only
Switching depth	123-423mm	123-423mm	Add 306mm per tube

A vertical float switch, with either normally open or normally closed switch action, permanently joined to a 300mm PVC tube. This provides a switch, whose overall switching depth can be varied between 123mm and 423mm

Further 306mm extension tubes may be added, up to a maximum of three, to provide insertion depths up to 1340mm.

Custom versions can be made for particular applications. Please contact Cynergy3 with your requirements.

Mechanical Dimensions



Extension Assembly

Cynergy3 Components Ltd.
7 Cobham Road
Ferndown Industrial Estate
Wimborne, Dorset BH21 7PE
Telephone +44 (0) 1202 897969

Email: sales@cynergy3.com

ISO9001 CERTIFIED

Switch Assembly

www.cynergy3.com