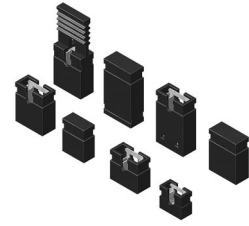
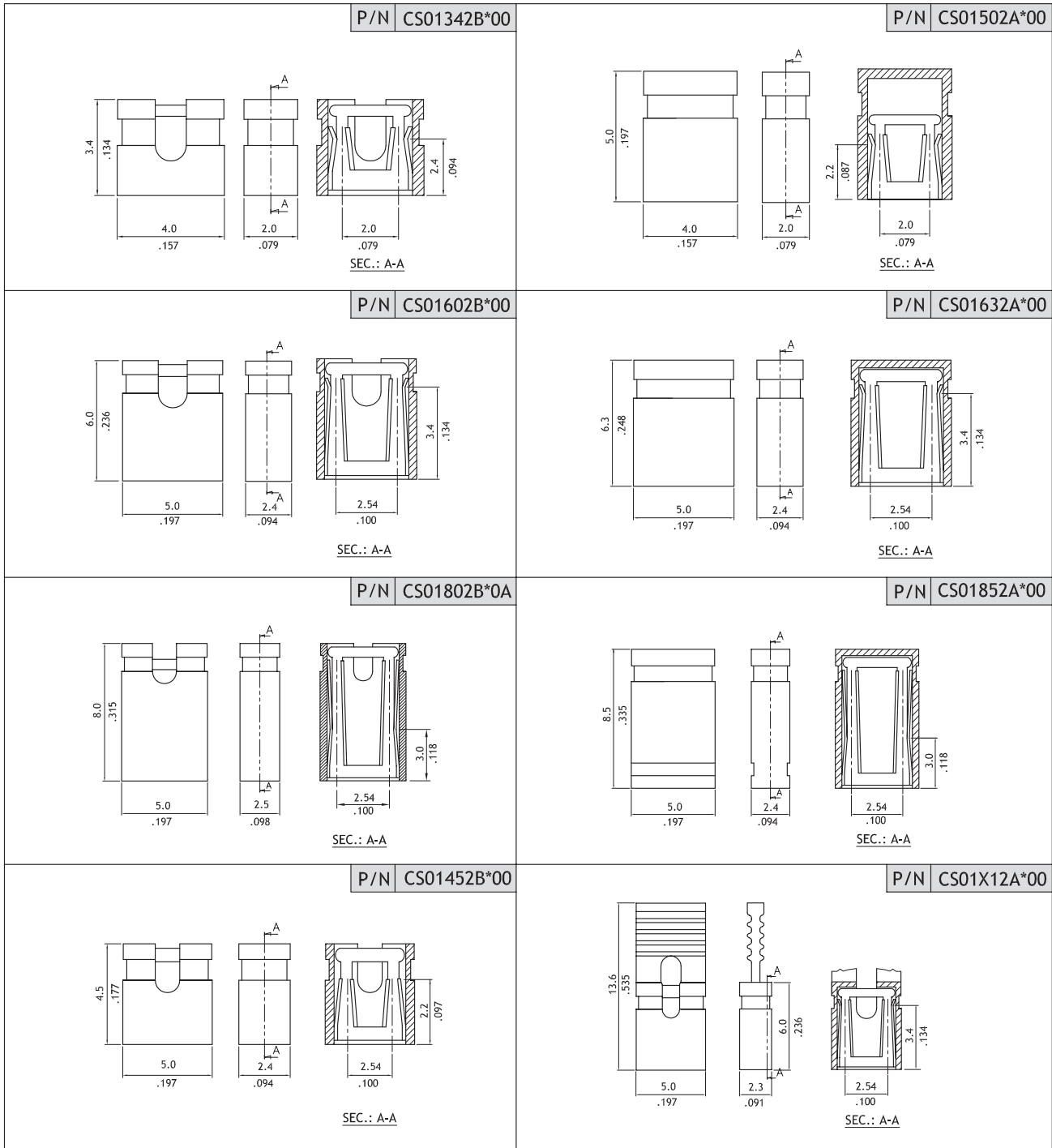


CS01 Series 2.54mm(.100") Dual Row Multiple Shunts

- Available variety of body height
- Handle type available
- Low cost and reliable
- Color code option "*"
 - 1= Black, 3= Red, 7= Blue
- Gold flash plated as standard



RoHS Compliant



CS

BOARD INTERFACE