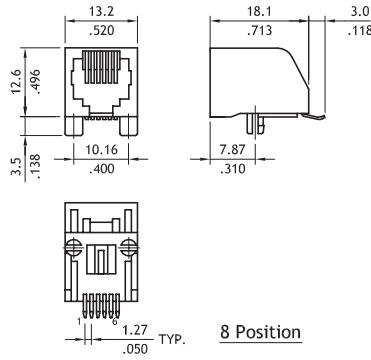
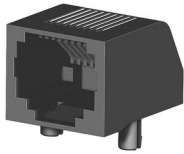


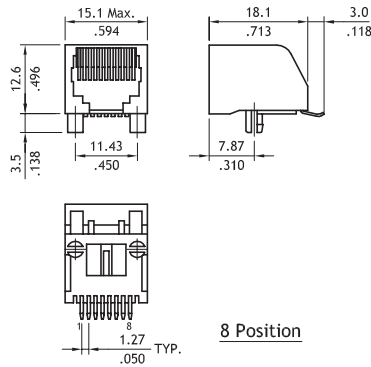
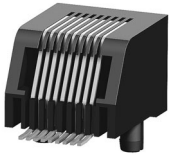
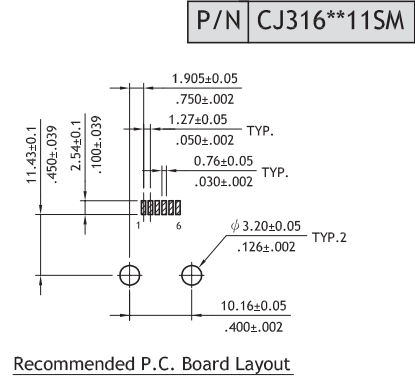
CJ31 Series Board Mount Telephone Jacks

- Available in 6, 8 and 10 ways
- Insulator: Black, Glass Filled Polyester
- Flammability Rating : UL 94V-0
- Cavity confirms to FCC rules and regulations PART 68, SUBPART F

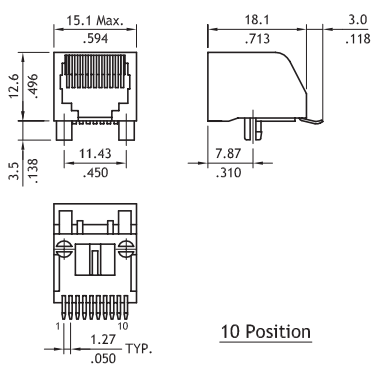
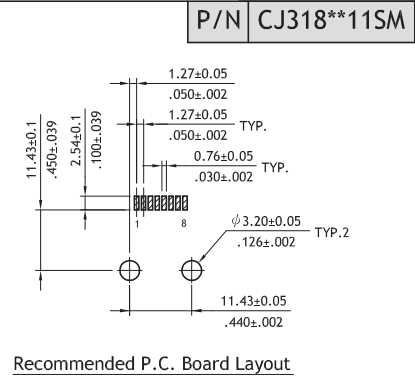
RoHS Compliant



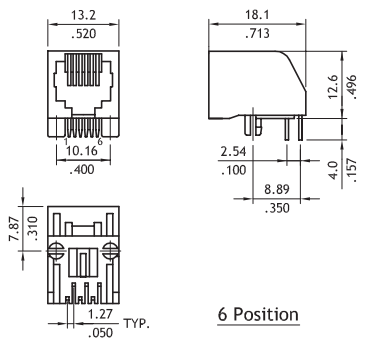
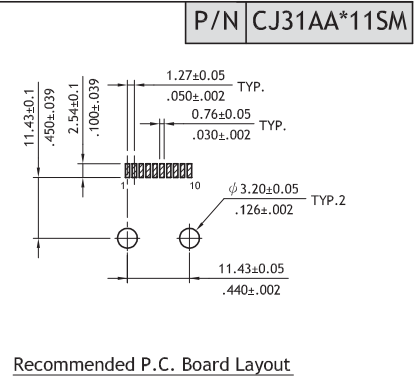
8 Position



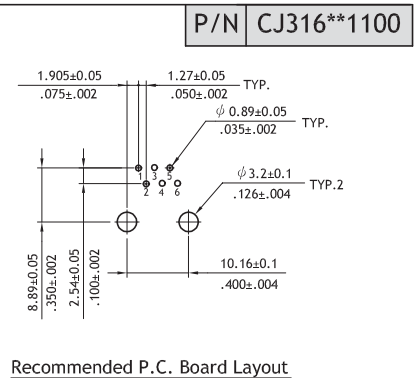
8 Position



10 Position



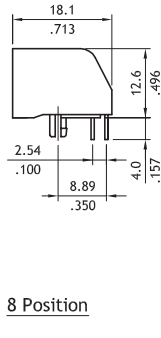
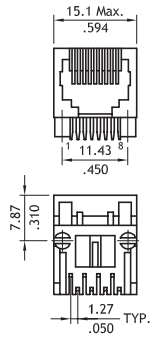
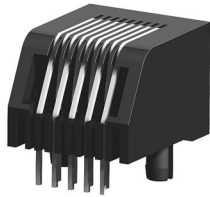
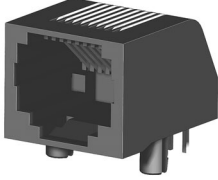
6 Position



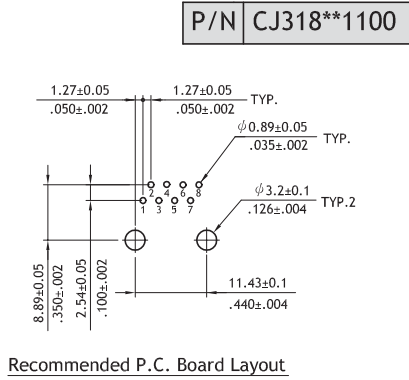
CJ31 Series Board Mount Telephone Jacks

- Lead Free soldering process available

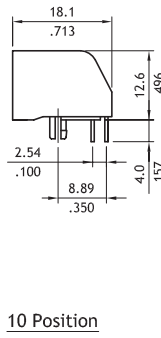
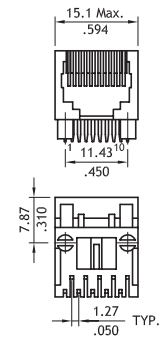
RoHS Compliant



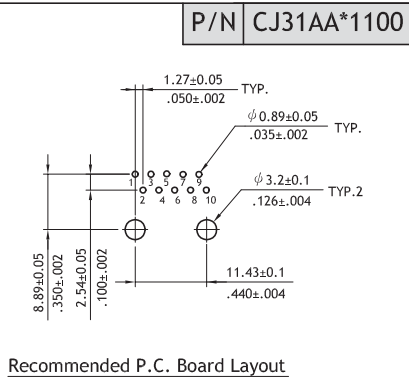
8 Position



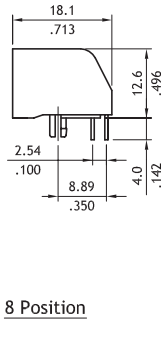
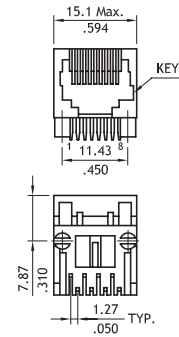
Recommended P.C. Board Layout



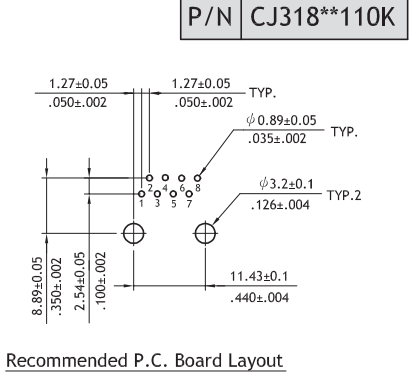
10 Position



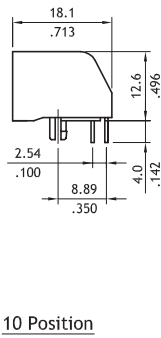
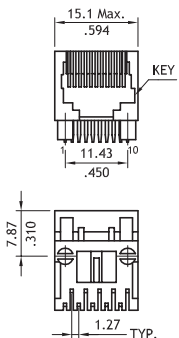
Recommended P.C. Board Layout



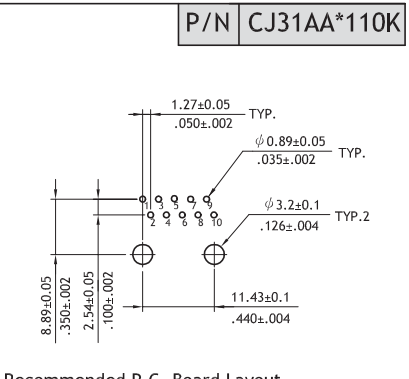
8 Position



Recommended P.C. Board Layout



10 Position



Recommended P.C. Board Layout

CJ

I/O CONNECTOR